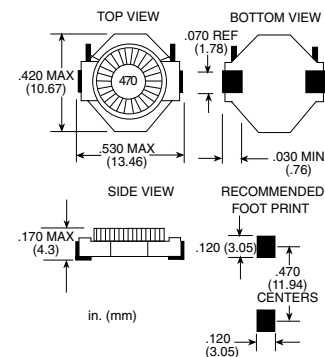


## SMT3106 Toroidal Power Inductors



PART NUMBER	L $\mu$ H $\pm$ 20% @ 100 kHz	DCR MAX	SATURATION CURRENT* DC AMPS	CURRENT RATING** DC AMPS
SMT3106-101M	1.0	.016	6.8	4.0
SMT3106-151M	1.5	.018	5.8	3.8
SMT3106-221M	2.2	.022	4.6	3.4
SMT3106-331M	3.3	.028	3.4	3.0
SMT3106-471M	4.7	.031	3.2	2.9
SMT3106-681M	6.8	.037	2.6	2.7
SMT3106-102M	10	.046	2.1	2.4
SMT3106-152M	15	.056	1.6	2.2
SMT3106-222M	22	.066	1.4	2.0
SMT3106-332M	33	.130	1.1	1.4
SMT3106-472M	47	.182	.95	1.2
SMT3106-682M	68	.344	.80	.87
SMT3106-103M	100	.550	.64	.69
SMT3106-153M	150	1.04	.54	.50
SMT3106-223M	220	2.09	.43	.35
SMT3106-333M	330	4.28	.36	.25
SMT3106-473M	470	5.06	.29	.23
SMT3106-683M	680	6.73	.24	.20
SMT3106-104M	1000	8.23	.20	.18



### NOTES:

- Operating temperature -55°C to +125°C
- \*Saturation current is the approximate value that will reduce the initial inductance by 10%
- \*\*Rated current is based on a 40°C temperature rise at an ambient temperature of 85°C.

### TAPE AND REEL SPECS:

Pcs./Reel maximum:	700
Pitch between parts:	16 mm
Tape width:	24 mm
Reel diameter inches:	13