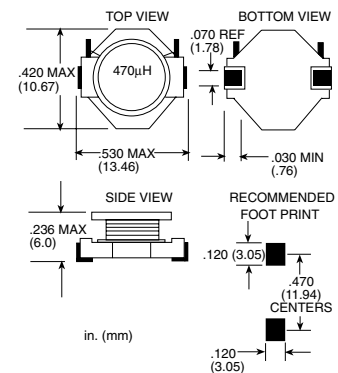


## SMP3316 Power Inductors



PART NUMBER	L $\mu$ H $\pm$ 20% @ 100 kHz	DCR MAX	SATURATION CURRENT* DC AMPS	CURRENT RATING** DC AMPS
SMP3316-101M	1.0	.0065	11.0	9.3
SMP3316-151M	1.5	.0080	10.4	8.3
SMP3316-221M	2.2	.0090	7.8	7.6
SMP3316-331M	3.3	.0128	7.0	6.5
SMP3316-471M	4.7	.0160	5.6	5.6
SMP3316-681M	6.8	.0202	5.0	5.0
SMP3316-102M	10	.0267	4.2	4.4
SMP3316-152M	15	.0410	3.4	3.5
SMP3316-222M	22	.0600	3.0	2.9
SMP3316-332M	33	.0917	2.4	2.3
SMP3316-472M	47	.130	1.8	2.0
SMP3316-682M	68	.178	1.6	1.7
SMP3316-103M	100	.260	1.4	1.4
SMP3316-153M	150	.380	1.0	1.2
SMP3316-223M	220	.550	.90	.97
SMP3316-333M	330	.870	.70	.77
SMP3316-473M	470	1.23	.64	.65
SMP3316-683M	680	1.71	.50	.55
SMP3316-104M	1000	2.64	.42	.44



### NOTES:

- Operating temperature -55°C to +125°C
- \*Saturation current is the approximate value that will reduce the initial inductance by 10%
- \*\*Rated current is based on a 40°C temperature rise at an ambient temperature of 85°C.

### TAPE AND REEL SPECS:

Pcs./Reel maximum:	700
Pitch between parts:	16 mm
Tape width:	24 mm
Reel diameter inches:	13