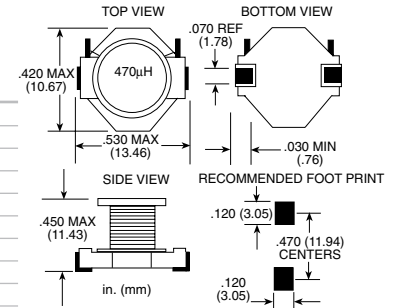


SMP3340 Power Inductors



| PART NUMBER | L μ H \pm 20% @ 100 kHz | DCR MAX | SATURATION CURRENT* DC AMPS | CURRENT RATING** DC AMPS |
|--------------|-------------------------------|---------|-----------------------------|--------------------------|
| SMP3340-102M | 10 | .035 | 9.0 | 4.2 |
| SMP3340-152M | 15 | .040 | 7.4 | 3.9 |
| SMP3340-222M | 22 | .066 | 6.0 | 3.0 |
| SMP3340-332M | 33 | .080 | 4.8 | 2.8 |
| SMP3340-472M | 47 | .110 | 4.0 | 2.3 |
| SMP3340-682M | 68 | .140 | 3.6 | 2.1 |
| SMP3340-103M | 100 | .220 | 2.8 | 1.7 |
| SMP3340-153M | 150 | .320 | 2.4 | 1.4 |
| SMP3340-223M | 220 | .440 | 1.8 | 1.2 |
| SMP3340-333M | 330 | .700 | 1.6 | .93 |
| SMP3340-473M | 470 | .950 | 1.2 | .80 |
| SMP3340-683M | 680 | 1.20 | 1.0 | .71 |
| SMP3340-104M | 1000 | 2.00 | .84 | .55 |



NOTES:

- Operating temperature -55°C to +125°C
- *Saturation current is the approximate value that will reduce the initial inductance by 10%
- **Rated current is based on a 40°C temperature rise at an ambient temperature of 85°C.

TAPE AND REEL SPECS:

| | |
|-----------------------|-------|
| Pcs./Reel maximum: | 200 |
| Pitch between parts: | 24 mm |
| Tape width: | 24 mm |
| Reel diameter inches: | 13 |