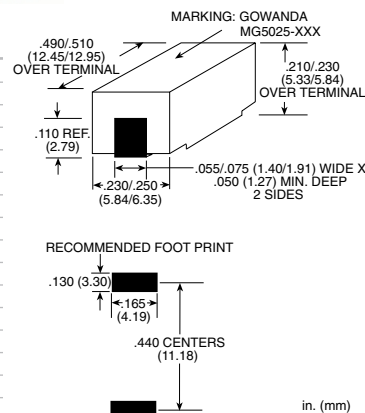


SMG5025LF RoHS Non-Magnetic Core RF Inductors



PART NUMBER	INDUCTANCE μ H	Q MIN	TEST FREQ. MHz	SRF MHz MIN	DCR OHMS MAX	CURRENT RATING* DC mA	CORE MATERIAL
SMG5025-100KLF	.10 \pm 10%	50	25	550	.025	3835	Non-magnetic coil form
SMG5025-120KLF	.12 \pm 10%	50	25	530	.028	3624	Non-magnetic coil form
SMG5025-150KLF	.15 \pm 10%	50	25	525	.030	3500	Non-magnetic coil form
SMG5025-180KLF	.18 \pm 10%	50	25	500	.040	3032	Non-magnetic coil form
SMG5025-220KLF	.22 \pm 10%	50	25	450	.055	2580	Non-magnetic coil form
SMG5025-270KLF	.27 \pm 10%	45	25	400	.070	2285	Non-magnetic coil form
SMG5025-330KLF	.33 \pm 10%	45	25	360	.090	2015	Non-magnetic coil form
SMG5025-390KLF	.39 \pm 10%	45	25	330	.100	1915	Non-magnetic coil form
SMG5025-470KLF	.47 \pm 10%	45	25	310	.120	1750	Non-magnetic coil form
SMG5025-560KLF	.56 \pm 10%	50	25	280	.135	1645	Non-magnetic coil form
SMG5025-680KLF	.68 \pm 10%	50	25	250	.150	1555	Non-magnetic coil form
SMG5025-820KLF	.82 \pm 10%	50	25	220	.220	1300	Non-magnetic coil form
SMG5025-101KLF	1.0 \pm 10%	50	25	200	.290	1125	Non-magnetic coil form
SMG5025-121KLF	1.2 \pm 10%	33	7.9	180	.420	930	Non-magnetic coil form
SMG5025-151KLF	1.5 \pm 10%	33	7.9	160	.500	855	Non-magnetic coil form
SMG5025-181KLF	1.8 \pm 10%	33	7.9	150	.650	755	Non-magnetic coil form
SMG5025-221KLF	2.2 \pm 10%	33	7.9	135	.950	620	Non-magnetic coil form
SMG5025-271KLF	2.7 \pm 10%	33	7.9	120	1.20	550	Non-magnetic coil form
SMG5025-331KLF	3.3 \pm 10%	33	7.9	110	2.00	430	Non-magnetic coil form
SMG5025-391KLF	3.9 \pm 10%	33	7.9	100	2.30	395	Non-magnetic coil form
SMG5025-471KLF	4.7 \pm 10%	33	7.9	90	2.60	375	Non-magnetic coil form



NOTES:

- * Current rating is based on a 35°C rise from a 90°C Ambient.
- Used in imaging equipment where non-metallic coil forms are required.
- Epoxy Encapsulated
- Operating temperature -55°C to +125°C
- Custom values, and close tolerance available
- Supplied on tape and reel