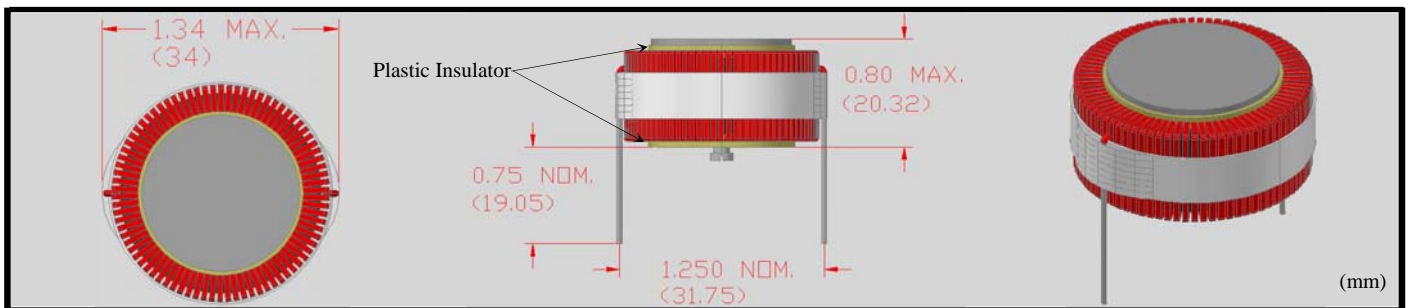


GOWANDA

TOROIDAL RUGGEDIZED POWER INDUCTORS

894ATRM

- ◆ Electromagnetically Shielded
- ◆ Current ratings from 2.4 to 12.8 amps
- ◆ Custom designs available
- ◆ Specially designed for high vibration



- Use 6/32 fastener for PCB assembly

Part Number	L μ H @1kHz $\pm 10\%$	Current Rating ADC	INC. I ADC ΔL 10%	INC. I ADC ΔL 20%	DCR OHMS MAX.	SRF MHz MIN.
894AT2502RM	25	12.8	13.5	20.0	.012	5.0
894AT5002RM	50	9.9	10.8	15.2	.016	2.5
894AT7502RM	75	8.0	8.0	12.0	.023	2.0
894AT1003RM	100	8.0	7.1	10.6	.023	1.5
894AT1503RM	150	6.5	6.0	9.0	.035	1.0
894AT2503RM	250	5.0	4.6	6.8	.060	.8
894AT5003RM	500	3.4	3.1	4.6	.131	.6
894AT7503RM	750	3.0	2.7	4.0	.160	.4
894AT1004RM	1000	2.4	2.3	3.5	.235	.3

- ◆ Operating temperature -55°C to +130°C.
- ◆ Rated current is based on a 40°C temperature rise at an ambient temperature of 90°C.
- ◆ Incremental current is the approximate value that will cause a percentage drop in inductance as indicated in the table.