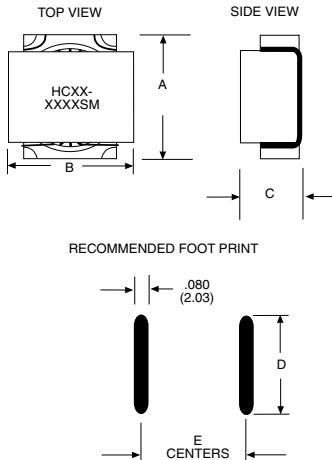


HCSM High Current Toroidal Inductors



PART NUMBER	L μ H @ 1kHz \pm 20%	CURRENT RATING* ADC	L w/DC	@ DC	DCR OHMS MAX.	SRF MHz MIN.	A DIM MAX.	B DIM MAX.	C DIM MAX.	D DIM NOM.	E DIM NOM.
HC37-1251SM	1.25	17.40	.81	14.3	.0025	260	.615 (15.62)	.600 (15.62)	.370 (9.40)	.440 (11.18)	.500 (12.70)
HC37-2101SM	2.10	13.90	1.32	11.5	.0040	160	.615 (15.62)	.600 (15.62)	.370 (9.40)	.440 (11.18)	.500 (12.70)
HC37-2801SM	2.80	11.00	2.24	5.0	.0063	110	.615 (15.62)	.600 (15.62)	.370 (9.40)	.440 (11.18)	.500 (12.70)
HC37-4201SM	4.20	9.83	3.36	4.0	.0079	100	.615 (15.62)	.600 (15.62)	.370 (9.40)	.440 (11.18)	.500 (12.70)
HC44-2801SM	2.80	15.60	1.68	13.9	.0036	110	.665 (16.89)	.665 (16.89)	.400 (10.16)	.490 (12.45)	.560 (14.22)
HC44-4201SM	4.20	12.80	2.50	11.4	.0054	85	.665 (16.89)	.665 (16.89)	.400 (10.16)	.490 (12.45)	.560 (14.22)
HC44-5701SM	5.70	10.90	4.56	4.0	.0075	65	.665 (16.89)	.665 (16.89)	.400 (10.16)	.490 (12.45)	.560 (14.22)
HC44-9001SM	9.00	8.87	7.20	3.0	.0114	55	.665 (16.89)	.665 (16.89)	.400 (10.16)	.490 (12.45)	.560 (14.22)
HC50-6501SM	6.50	12.00	3.50	12.4	.0066	55	.740 (18.80)	.740 (18.80)	.400 (10.16)	.560 (14.22)	.630 (16.00)
HC50-8401SM	8.40	10.80	4.70	10.4	.0083	45	.740 (18.80)	.740 (18.80)	.400 (10.16)	.560 (14.22)	.630 (16.00)
HC50-1252SM	12.5	9.25	10.00	3.7	.0114	35	.740 (18.80)	.740 (18.80)	.400 (10.16)	.560 (14.22)	.630 (16.00)
HC50-1702SM	17.0	7.58	13.60	3.4	.0170	29	.740 (18.80)	.740 (18.80)	.400 (10.16)	.560 (14.22)	.630 (16.00)
HC68-1052SM	10.5	13.20	5.20	15.4	.0062	30	.945 (24.0)	.940 (23.88)	.400 (10.16)	.700 (17.78)	.820 (20.83)
HC68-1762SM	17.6	9.32	9.40	10.9	.0123	24	.945 (24.0)	.940 (23.88)	.400 (10.16)	.700 (17.78)	.820 (20.83)
HC68-2202SM	22.0	7.87	17.60	3.7	.0175	21	.945 (24.0)	.940 (23.88)	.400 (10.16)	.700 (17.78)	.820 (20.83)
HC68-2902SM	29.0	6.57	23.20	3.0	.0250	16	.945 (24.0)	.940 (23.88)	.400 (10.16)	.700 (17.78)	.820 (20.83)



in. (mm)

NOTES:

- Operating temperature -30°C to +130°C
- *Rated current is based on a 55°C temperature rise at an ambient temperature of 25°C.

TAPE AND REEL SPECS: HC37:

Pcs./Reel maximum: 250
 Pitch between parts: 24 mm
 Tape width: 32 mm
 Reel diameter inches: 13

TAPE AND REEL SPECS: HC44:

Pcs./Reel maximum: 200
 Pitch between parts: 24 mm
 Tape width: 32 mm
 Reel diameter inches: 13

TAPE AND REEL SPECS: HC50:

Pcs./Reel maximum: 200
 Pitch between parts: 24 mm
 Tape width: 44 mm
 Reel diameter inches: 13

TAPE AND REEL SPECS: HC68:

Pcs./Reel maximum: 150
 Pitch between parts: 32 mm
 Tape width: 44 mm
 Reel diameter inches: 13