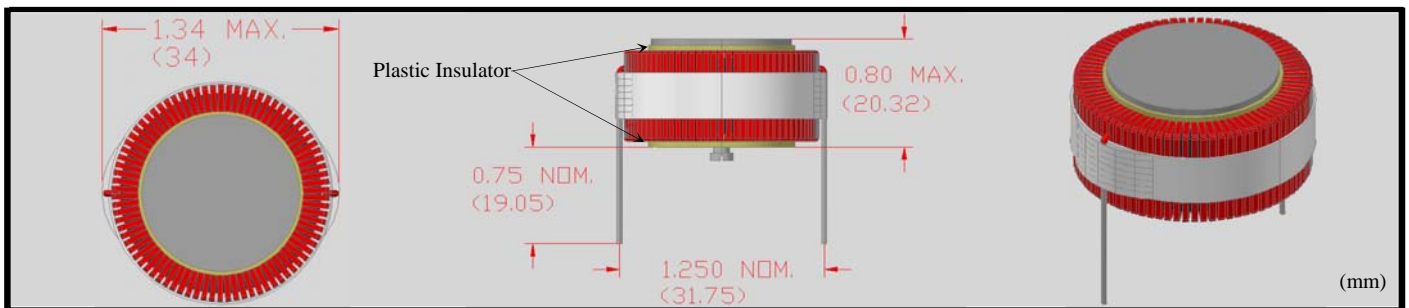


# GOWANDA

## TOROIDAL RUGGEDIZED POWER INDUCTORS

### 894KMRM

- ◆ Electromagnetically Shielded
- ◆ Current ratings from 2.4 to 12.8 amps
- ◆ Custom designs available
- ◆ Specially designed for high vibration



- Use 6/32 fastener for PCB assembly

Part Number	L $\mu$ H @1kHz $\pm 10\%$	Current Rating ADC	INC. I ADC $\Delta L$ 10%	INC. I ADC $\Delta L$ 20%	DCR OHMS MAX.	SRF MHz MIN.
894KM2502RM	25	12.8	6.60	11.0	.012	8.0
894KM5002RM	50	9.9	4.20	7.4	.016	4.0
894KM7502RM	75	8.0	3.70	6.40	.023	3.0
894KM1003RM	100	8.0	3.50	6.00	.023	2.0
894KM1503RM	150	6.5	2.30	4.30	.035	1.0
894KM2503RM	250	5.0	1.90	3.20	.060	1.0
894KM5003RM	500	3.4	1.40	2.50	.131	.8
894KM7503RM	750	3.0	1.20	2.10	.160	.6
894KM1004RM	1000	2.4	1.00	1.80	.235	.4

- ◆ Operating temperature -55°C to +130°C.
- ◆ Rated current is based on a 40°C temperature rise at an ambient temperature of 90°C.
- ◆ Incremental current is the approximate value that will cause a percentage drop in inductance as indicated in the table.