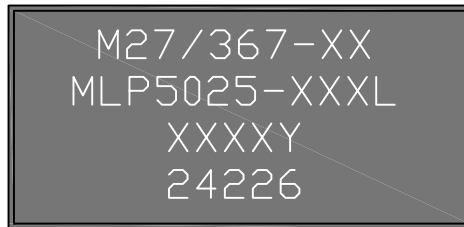


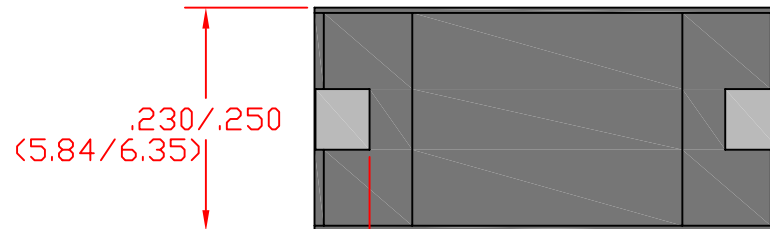
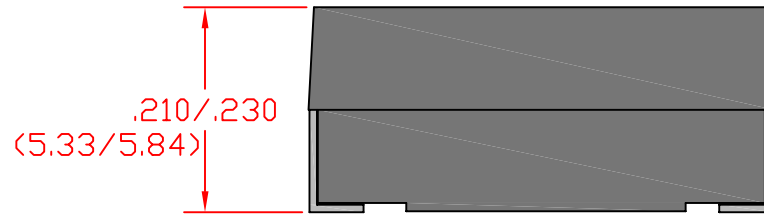
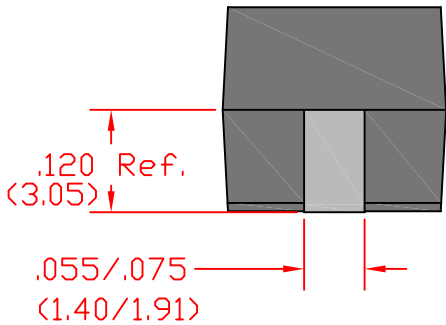
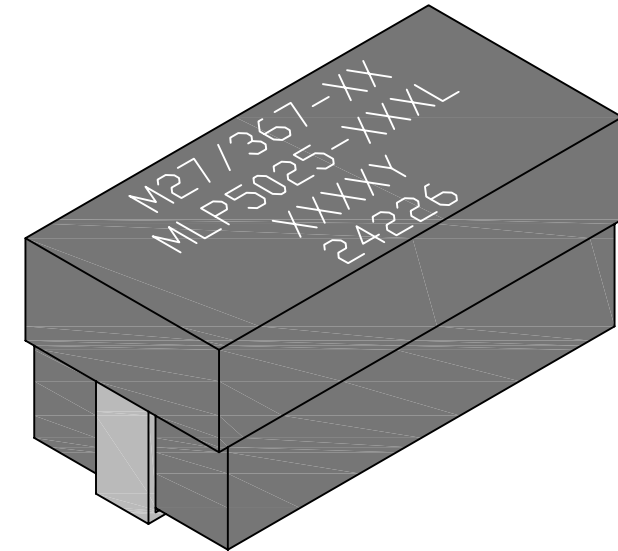
Marking: XXX is the dash number

Example of XXX

- 101 = 1.0 μ H
- 102 = 10 μ H
- 103 = 100 μ H
- 104 = 1000 μ H

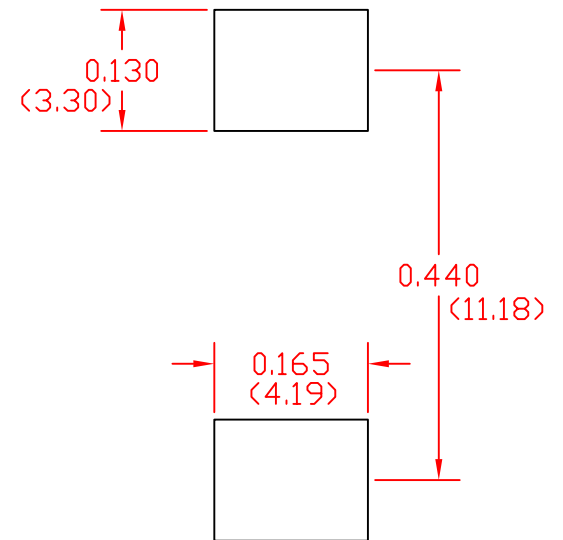


.490/.520
(12.44/13.21)



Tape and Reel Specs:
 Pcs./Reel maximum: 800
 Pitch between parts: 12 mm
 Tape width: 24 mm
 Reel diameter inches: 13

Recommended Foot Print



NEXT ASSEM	USED ON	LTR.	REVISION	BY	DATE
Part #:		MLP5025-Dimensional Specification			
DRAWN BY	KB	APPROVED BY	KB ^{ENG}	BM ^{QA}	MFG

Unless otherwise specified dimensions are in inches.
in. (mm)

This drawing or specification is the property of Gowanda Electronics. Copies shall not be reproduced or copied or used as the basis for the manufacture or sale of apparatus without permission.



ONE MAGNETICS PARKWAY
 P.O. BOX 111
 GOWANDA, NEW YORK 14070

Phone Number: (716)532-2234
 Website: www.gowanda.com