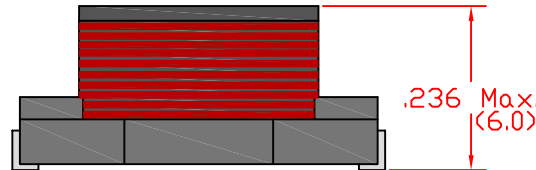
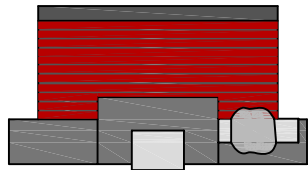
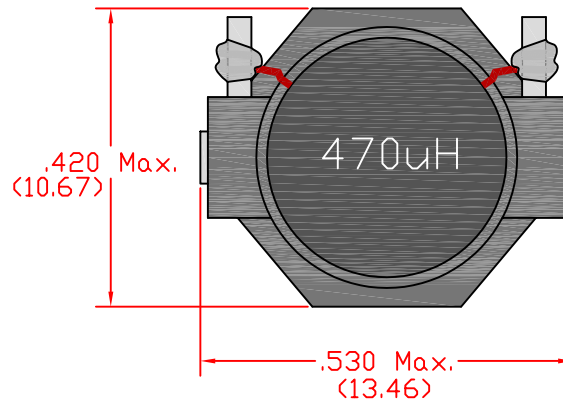
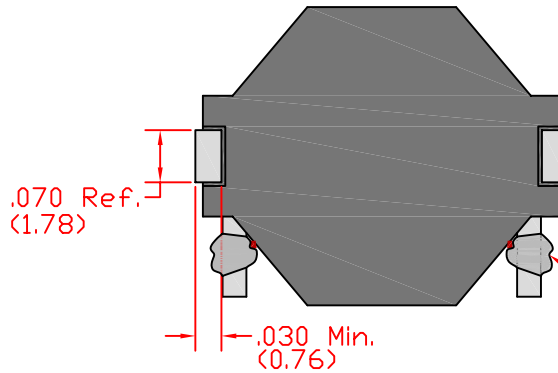
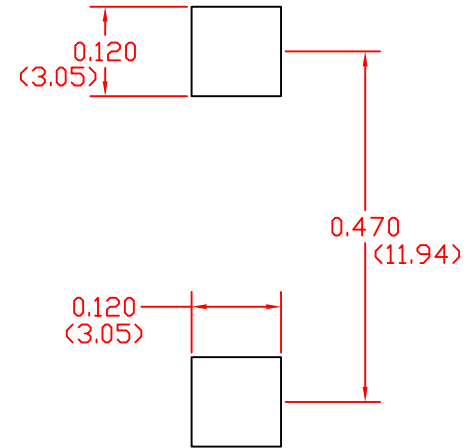


Marking: L in  $\mu\text{H}$



Recommended Foot Print



Wire is wrapped around terminal and soldered.

Tape and Reel Specs:

Pcs./Reel maximum: 700  
 Pitch between parts: 16 mm  
 Tape width: 24 mm  
 Reel diameter inches: 13

NEXT ASSEM	USED ON	LTR.	REVISION	BY	DATE
Part #:		<b>SMP3316-Dimensional Specification</b>			
DRAWN BY	KB	APPROVED BY	KB <sup>ENG</sup>	BM <sup>QA</sup>	GG <sup>MFG</sup>

Unless otherwise specified dimensions are in inches.  
 in. (mm)

This drawing or specification is the property of Gowanda Electronics. Copies shall not be reproduced or copied or used as the basis for the manufacture or sale of apparatus without permission.



ONE MAGNETICS PARKWAY  
 P.O. BOX 111  
 GOWANDA, NEW YORK 14070

Phone Number: (716)532-2234  
 Website: www.gowanda.com