

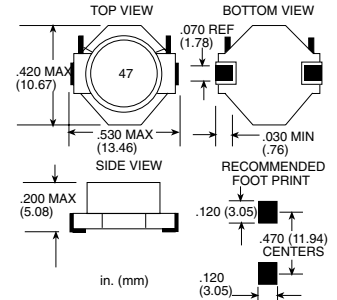
POWER INDUCTORS - SURFACE MOUNT



SMP33 I 6SLF RoHS Shielded Power Inductors



PART NUMBER	L, $\mu\text{H} \pm 20\%$ @ 100 kHz	DCR MAX	SATURATION CURRENT* DC AMPS	CURRENT RATING** DC AMPS
SMP3316S-101MLF	1.0	0.021	15	5.0
SMP3316S-151MLF	1.5	0.022	11	4.5
SMP3316S-221MLF	2.2	0.032	10	3.8
SMP3316S-331MLF	3.3	0.039	8	3.3
SMP3316S-471MLF	4.7	0.054	6.8	2.7
SMP3316S-681MLF	6.8	0.075	5.5	2.2
SMP3316S-102MLF	10	0.101	4.6	2.0
SMP3316S-152MLF	15	0.150	3.8	1.5
SMP3316S-222MLF	22	0.207	3.1	1.3
SMP3316S-332M LF	33	0.334	2.5	1.1
SMP3316S-472MLF	47	0.472	2.1	.80



NOTES:

- Operating temperature -55°C to +125°C
- *Saturation current is the approximate value that will reduce the initial inductance by 10%
- **Rated current is based on a 40°C temperature rise at an ambient temperature of 85°C.

TAPE AND REEL SPECS:

Pcs./Reel maximum:	700
Pitch between parts:	16 mm
Tape width:	24 mm
Reel diameter inches:	13