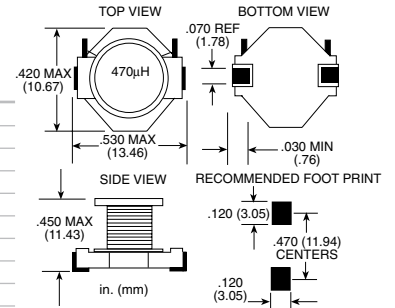


SMP3340LF RoHS Power Inductors



PART NUMBER	L μ H \pm 20% @ 100 kHz	DCR MAX	SATURATION CURRENT* DC AMPS	CURRENT RATING** DC AMPS
SMP3340-102MLF	10	.035	9.0	4.2
SMP3340-152MLF	15	.040	7.4	3.9
SMP3340-222MLF	22	.066	6.0	3.0
SMP3340-332MLF	33	.080	4.8	2.8
SMP3340-472MLF	47	.110	4.0	2.3
SMP3340-682MLF	68	.140	3.6	2.1
SMP3340-103MLF	100	.220	2.8	1.7
SMP3340-153MLF	150	.320	2.4	1.4
SMP3340-223MLF	220	.440	1.8	1.2
SMP3340-333MLF	330	.700	1.6	.93
SMP3340-473MLF	470	.950	1.2	.80
SMP3340-683MLF	680	1.20	1.0	.71
SMP3340-104MLF	1000	2.00	.84	.55



NOTES:

- Operating temperature -55°C to +125°C
- *Saturation current is the approximate value that will reduce the initial inductance by 10%
- **Rated current is based on a 40°C temperature rise at an ambient temperature of 85°C.

TAPE AND REEL SPECS:

Pcs./Reel maximum:	200
Pitch between parts:	24 mm
Tape width:	24 mm
Reel diameter inches:	13