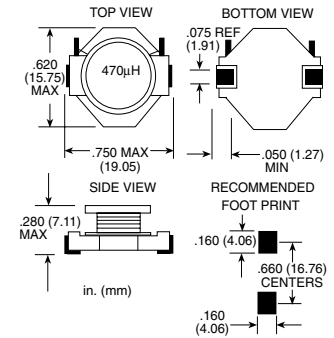


SMP5022LF RoHS Power Inductors



| PART NUMBER | L, $\mu\text{H} \pm 20\%$ @ 100 kHz | DCR MAX | SATURATION CURRENT* DC AMPS | CURRENT RATING** DC AMPS |
|----------------|--|------------|--------------------------------|-----------------------------|
| SMP5022-101MLF | 1.0 | .009 | 20 | 8.6 |
| SMP5022-221MLF | 2.2 | .014 | 19 | 7.1 |
| SMP5022-331MLF | 3.3 | .015 | 17 | 6.2 |
| SMP5022-561MLF | 5.6 | .020 | 15 | 5.3 |
| SMP5022-102MLF | 10 | .031 | 12 | 4.3 |
| SMP5022-152MLF | 15 | .036 | 9.7 | 4.0 |
| SMP5022-222MLF | 22 | .047 | 7.8 | 3.5 |
| SMP5022-332MLF | 33 | .066 | 6.5 | 3.0 |
| SMP5022-472MLF | 47 | .086 | 5.6 | 2.6 |
| SMP5022-682MLF | 68 | .130 | 4.5 | 2.3 |
| SMP5022-103MLF | 100 | .19 | 3.6 | 1.8 |
| SMP5022-153MLF | 150 | .25 | 3.0 | 1.5 |
| SMP5022-223MLF | 220 | .38 | 2.5 | 1.2 |
| SMP5022-333MLF | 330 | .56 | 2.1 | 1.0 |
| SMP5022-473MLF | 470 | .85 | 1.7 | .82 |
| SMP5022-683MLF | 680 | 1.10 | 1.4 | .72 |
| SMP5022-104MLF | 1000 | 1.80 | 1.2 | .56 |



NOTES:

- Operating temperature -55°C to +125°C
- *Saturation current is the approximate value that will reduce the initial inductance by 10%
- **Rated current is based on a 40°C temperature rise at an ambient temperature of 85°C.

TAPE AND REEL SPECS:

| | |
|-----------------------|-------|
| Pcs./Reel maximum: | 350 |
| Pitch between parts: | 24 mm |
| Tape width: | 32 mm |
| Reel diameter inches: | 13 |