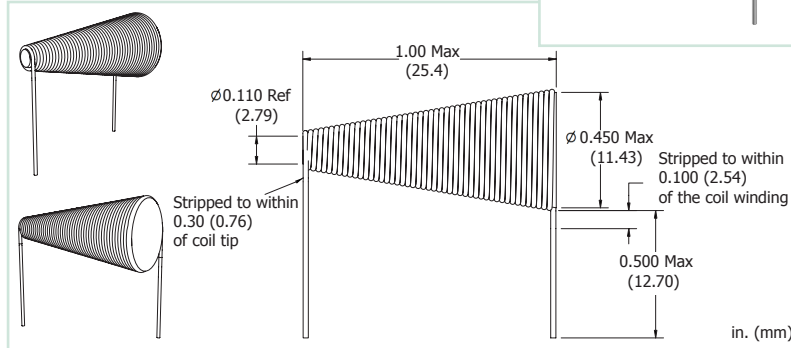
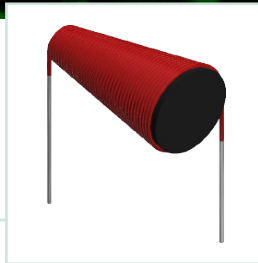


**C1000FL** 

RF Conical Flying Lead Inductor  
Enhanced DC Current Handling Capability

Outgassing Tested per ASTM E595 (\*)



Custom designs are available to meet your specific requirements; please contact factory

PART NUMBER	L $\mu$ H @ 10 MHz TYP	Q @ 10 MHz TYP	DCR $\Omega$ MAX	CURRENT RATING mA DC	TURNS	WIRE SIZE AWG
<b>POWDERED IRON CORE</b>						
C1000FL2920C6	5	48	0.030	7700	29	20
C1000FL4524C6	13	39	0.110	3800	45	24
C1000FL5726C6	22	30	0.215	2700	57	26

**These RoHS components meet the  $\leq 0.1\%$  lead requirement and they are compatible with 260°C soldering processes.**

**NOTES:**

- **Operating Temperature Range:**  
-55°C to +125°C
- **Current Rating** is based on a 100°C temperature rise at an ambient temperature of 25°C
- All non-tolerance and electrical data are reference only and based on nominal data
- **Terminations:** Standard and gold terminations are RoHS compliant; please contact factory for Pb terminations  
When ordering gold terminations change suffix in part number from C to G (eg. C1000FL2920G6)
- **Wire Type:** Copper
- **Weight Max:** 9.0 grams
- \* Meets a TML (Total Mass Loss) requirement of 1.0% maximum when tested in accordance with ASTM E595; this calculation does not include WVR (Water Vapor Recovered)

**PACKAGING SPECS:**

Bulk - in Jewel case