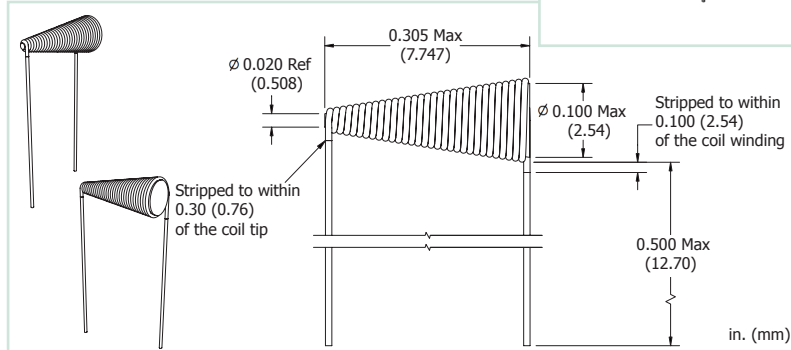


C305FL **RoHS COMPLIANT**

RF Conical Flying Lead Inductor
Enhanced DC Current Handling Capability

Outgassing Tested per ASTM E595 (*)



Custom designs are available to meet your specific requirements; please contact factory



PART NUMBER	L μ H @ 10 MHz TYP	Q @ 10 MHz TYP	DCR Ω MAX	CURRENT RATING mA DC	TURNS	WIRE SIZE AWG
POWDERED IRON CORE						
C305FL1726C6	0.30	41	0.020	7200	17	26
C305FL2128C6	0.50	40	0.035	3500	21	28
C305FL2830C6	0.90	40	0.070	2000	28	30
C305FL3432C6	1.00	38	0.125	1300	34	32

These RoHS components meet the $\leq 0.1\%$ lead requirement and they are compatible with 260°C soldering processes.

NOTES:

- **Operating Temperature Range:**
-55°C to +125°C
- **Current Rating** is based on a 100°C temperature rise at an ambient temperature of 25°C
- All non-tolerance and electrical data are reference only and based on nominal data
- **Terminations:** Standard and gold terminations are RoHS compliant; please contact factory for Pb terminations
When ordering gold terminations change suffix in part number from C to G (eg. C305FL1726G6)
- **Wire Type:** Copper
- **Weight Max:** 3.0 grams
- * Meets a TML (Total Mass Loss) requirement of 1.0% maximum when tested in accordance with ASTM E595; this calculation does not include WVR (Water Vapor Recovered)

PACKAGING SPECS:

Bulk - in Jewel case