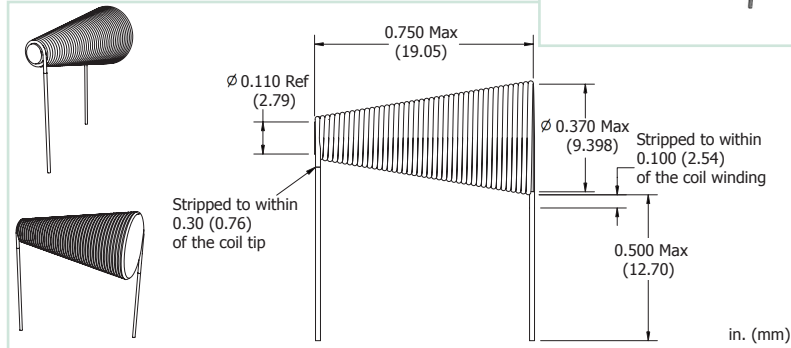
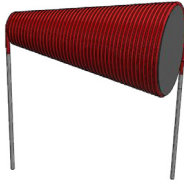


**C750FL** 

RF Conical Flying Lead Inductor  
Enhanced DC Current Handling Capability

Outgassing Tested per ASTM E595 (\*)



Custom designs are available to meet your specific requirements; please contact factory

PART NUMBER	L $\mu$ H @ 10 MHz TYP	Q @ 10 MHz TYP	DCR $\Omega$ MAX	CURRENT RATING mA DC	TURNS	WIRE SIZE AWG
<b>POWDERED IRON CORE</b>						
C750FL2220C6	2.5	50	0.020	8100	22	20
C750FL3424C6	7.0	52	0.070	4100	34	24
C750FL4326C6	12	47	0.140	3000	43	26
C750FL5328C6	16	60	0.265	2200	53	28

**These RoHS components meet the  $\leq 0.1\%$  lead requirement and they are compatible with 260°C soldering processes.**

**NOTES:**

- **Operating Temperature Range:**  
-55°C to +125°C
- **Current Rating** is based on a 100°C temperature rise at an ambient temperature of 25°C
- All non-tolerance and electrical data are reference only and based on nominal data
- **Terminations:** Standard and gold terminations are RoHS compliant; please contact factory for Pb terminations  
When ordering gold terminations change suffix in part number from C to G (eg. C750FL2220G6)
- **Wire Type:** Copper
- **Weight Max:** 5.5 grams
- \* Meets a TML (Total Mass Loss) requirement of 1.0% maximum when tested in accordance with ASTM E595; this calculation does not include WVR (Water Vapor Recovered)

**PACKAGING SPECS:**

Bulk - in Jewel case