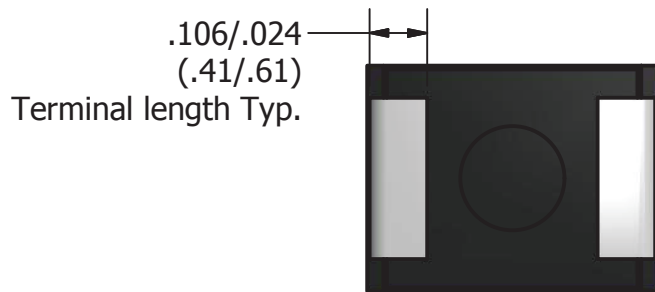
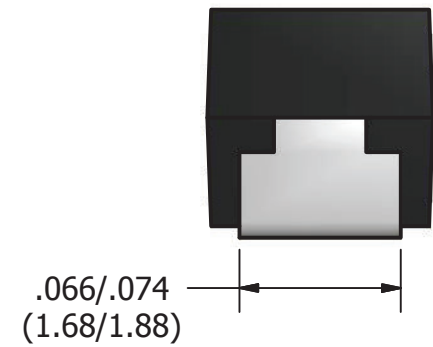
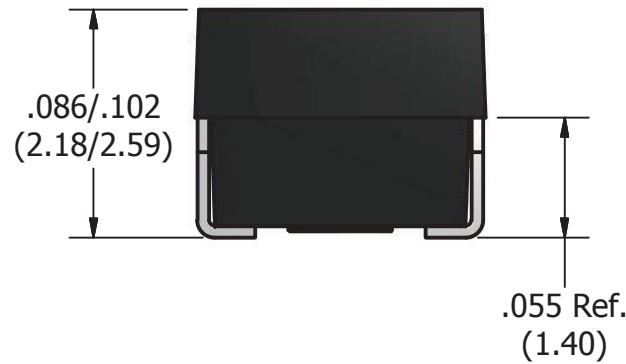
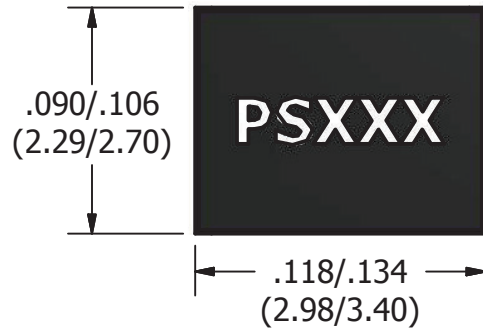
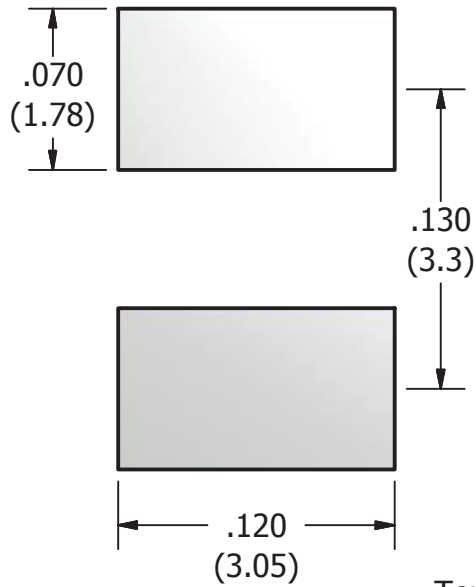


Marking: XXX is the dash Number

Example of XXX

- 100 = .1 $\mu$ H
- 101 = 1.0 $\mu$ H
- 102 = 10.0 $\mu$ H
- 472 = 47.0 $\mu$ H

### Recommended Foot Print



### Tape and Reel Specs.

- Pcs./ Reel maximum: 2000
- Pitch between parts: 8mm
- Tape width: 8mm
- Reel diameter inches: 7

NEXT ASSEM	USED ON	LTR	REVISION	BY	DATE
Part #:		SMP1210s-Dimensional Specification			
DRAWN BY	KB	Approved By	KB	ENG	QA

Unless otherwise specified dimensions are in inches. Tolerances on

XX  $\pm$  0.015  
 XXX  $\pm$  0.010  
 XXXX  $\pm$  0.005  
 Angles  $\pm$  2  
 Fractions  $\pm$

This drawing or specification is the property of Gowanda Electronics. Copies shall not be reproduced or copied or used as the basis for the manufacture or sale of apparatus without permission.

## Gowanda

ONE MAGNETICS PARKWAY  
 P.O. BOX 111  
 GOWANDA, NEW YORK 14070

Phone Number: (716) 532-2234  
 Website: www.gowanda.com