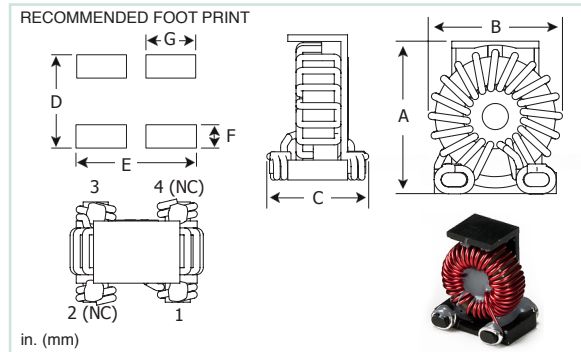


ATVSM TRADITIONAL Pb
ATVSMLF RoHS COMPLIANT

Vertical Mount Toroidal Inductor



PART NUMBER	L μ H @ 1 kHz	SRF MHz MIN	DCR Ω MAX	CURRENT RATING A DC	INC I A DC Δ L 10%	INC I A DC Δ L 20%
030AT1002VSM	10	35	0.050	2.56	2.20	3.40
030AT2502VSM	25	25	0.070	2.16	1.40	2.10
030AT5002VSM	50	10	0.100	1.81	1.20	1.30
030AT7502VSM	75	7	0.125	1.62	0.80	1.20
030AT1003VSM	100	6	0.145	1.50	0.60	1.00
030AT1503VSM	150	3.5	0.185	1.33	0.60	1.00
030AT2003VSM	200	3	0.300	1.04	0.50	0.70
030AT2503VSM	250	3	0.355	0.96	0.50	0.70
050AT3901VSM†	3.9	35	0.006	9.50	8.50	12.00
050AT8201VSM†	8.2	35	0.008	8.20	6.00	8.70
050AT1002VSM	10	35	0.010	7.36	6.00	8.70
050AT1502VSM	15	30	0.012	6.70	4.00	6.20
050AT2502VSM	25	10	0.020	5.20	3.60	5.30
050AT5002VSM	50	7	0.035	3.93	2.00	3.10
050AT7502VSM	75	5	0.045	3.47	1.60	2.50
050AT1003VSM	100	4	0.055	3.14	1.50	2.20
050AT1503VSM	150	2	0.100	2.33	1.20	1.80
050AT2003VSM	200	1.7	0.140	1.97	1.00	1.60
050AT2503VSM	250	1.5	0.160	1.84	0.90	1.40
050AT3303VSM	330	1	0.190	1.69	0.80	1.20
121AT1002VSM	10	20	0.010	8.72	9.00	14.00
121AT2502VSM	25	8	0.017	6.34	7.00	10.50
121AT5002VSM	50	4	0.030	4.77	3.90	6.00
121AT7502VSM	75	3	0.045	3.90	3.90	5.80
121AT1003VSM	100	2	0.065	3.24	3.40	4.70
121AT1503VSM	150	1.5	0.095	2.68	3.30	4.80
121AT2503VSM	250	1	0.160	2.07	2.20	3.20

SERIES	DIMENSIONS						
	A DIM MAX	B DIM MAX	C DIM MAX	D DIM NOM	E DIM NOM	F DIM NOM	G DIM NOM
030ATVSM	0.480 (12.20)	0.440 (11.18)	0.400 (10.16)	0.415 (10.54)	0.435 (11.05)	0.100 (2.54)	0.125 (3.17)
050ATVSM	0.740 (18.80)	0.625 (15.87)	0.550 (13.97)	0.555 (14.10)	0.645 (16.38)	0.140 (3.56)	0.260 (6.60)
121ATVSM	0.900 (22.86)	0.830 (21.08)	0.625 (15.57)	0.600 (15.24)	0.775 (19.68)	0.150 (3.81)	0.320 (8.13)

NOTES:

- **Operating Temperature Range:** -55°C to +125°C
- **Current Rating** is based on a 40°C temperature rise at an ambient temperature of 85°C
- **Incremental Current** is the approximate value that will cause a percentage drop in inductance as indicated in the table
- **Weight Max:**
030ATVSM: 1.8 grams
050ATVSM: 6.0 grams
121ATVSM: 14.5 grams
- **Marking:** Series; XXXX (dash #); VSM
030AT1002VSM
- Excellent Electromagnetic Shielding
- When ordering, specify **termination:**
030AT1002VSMLF
- Tolerance:** † = 15%, All part numbers provide 10% tolerance on inductance
**Optional tolerances are available; contact factory*
- Termination:** LF = RoHS compliant tin-silver copper over copper
- Custom designs are available to meet your specific requirements; please contact factory

TAPE AND REEL SPECS:	030ATVSM	050ATVSM	121ATVSM
Pcs./Reel maximum:	225	120	63
Pitch between parts:	24 mm	24 mm	32 mm
Inside tape spacing:	32 mm	32 mm	56 mm
Reel diameter:	12 in.	12 in.	12 in.