

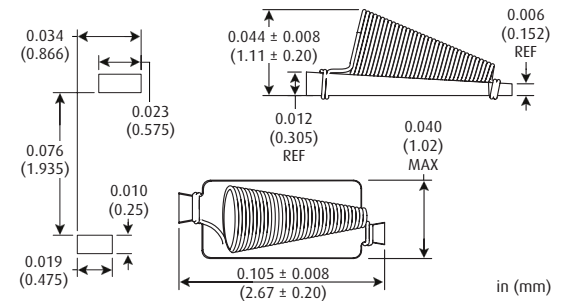
**C070SM SERIES** 

Broadband Conical Surface Mount Inductor

Outgassing Tested per ASTM E595 (\*)

PART NUMBER	L $\mu$ H @ 10 MHz	DCR $\Omega$ MAX	CURRENT RATING mA DC	TURNS	WIRE SIZE AWG
<b>POWDERED IRON CORE</b>					
C070SM1538G6	0.165	0.080	625	15	38
C070SM2040G6	0.265	0.170	425	20	40
C070SM2542G6	0.390	0.280	340	25	42
C070SM3044G6	0.550	0.600	235	30	44
C070SM3445G6	0.700	0.820	190	34	45
C070SM3846G6	0.800	1.0	175	38	46
C070SM4347G6	1.050	1.5	150	43	47

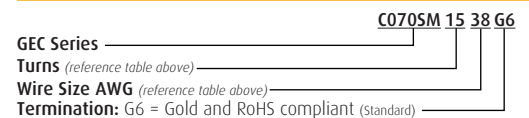
RECOMMENDED FOOT PRINT



**NOTES**

- **Operating Temperature Range:** -55°C to +125°C
- **Current Rating** is based on a 35°C temperature rise at an ambient temperature of 90°C
- **Wire Type:** Copper
- **Weight MAX:** 0.010 grams
- All non-tolerance and electrical data are reference only and based on nominal data
- Terminal is elongated to allow for soldering close to the tip of the coil
- Recommended that component is epoxied to substrate before reflow soldering
- Materials are fungus-inert to meet method 508 of MIL-STD-810H
- \* Meets a TML (Total Mass Loss) requirement of 1.0% maximum when tested in accordance with ASTM E595; this calculation does not include WVR (Water Vapor Recovered)
- Custom designs are available to meet your specific requirements; please contact factory

**PART NUMBER DERIVATION**



**TAPE AND REEL SPECS**

Pieces/reel maximum:	2000
Pitch between parts:	4 mm
Tape width:	8 mm
Reel diameter:	7 in.