

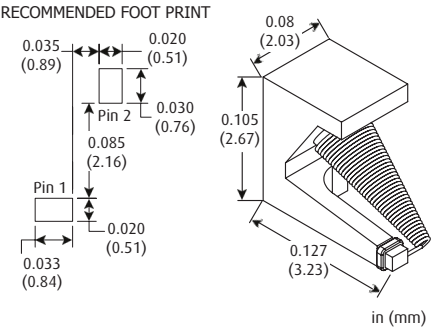
C102SM SERIES 

Broadband Conical Surface Mount Inductor

Outgassing Tested per ASTM E595 (*)

PART NUMBER	L μ H @ 10 MHz	DCR Ω NOM	CURRENT RATING mA DC	TURNS	WIRE SIZE AWG
POWDERED IRON CORE					
C102SM2238G6	0.47	0.19	815	22	38
C102SM2740G6	0.70	0.32	619	27	40
C102SM3442G6	1.10	0.64	438	34	42
C102SM4544G6	2.00	1.60	277	45	44
C102SM6047G6	3.80	3.70	182	60	47

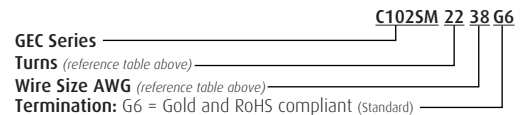
RECOMMENDED FOOT PRINT



NOTES

- **Operating Temperature Range:** -55°C to +125°C
- **Current Rating** is based on a 100°C temperature rise at an ambient temperature of 25°C
- **Wire Type:** Copper
- **Weight MAX:** 0.010 grams
- All non-tolerance and electrical data are reference only and based on nominal data
- Terminal is elongated to allow for soldering close to the tip of the coil
- Recommended that component is epoxied to substrate before reflow soldering
- Materials are fungus-inert to meet method 508 of MIL-STD-810H
- * Meets a TML (Total Mass Loss) requirement of 1.0% maximum when tested in accordance with ASTM E595; this calculation does not include WVR (Water Vapor Recovered)
- Custom designs are available to meet your specific requirements; please contact factory

PART NUMBER DERIVATION



TAPE AND REEL SPECS

Pieces/reel maximum:	425
Pitch between parts:	12 mm
Tape width:	16 mm
Reel diameter:	7 in.