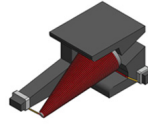


C182SM SERIES 

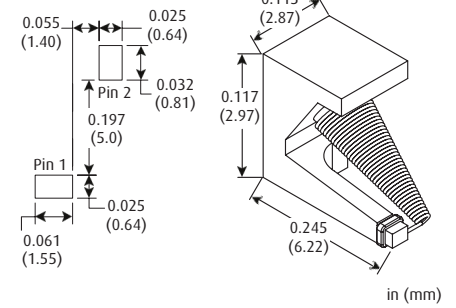
Broadband Conical Flying Lead Inductor

Outgassing Tested per ASTM E595 (*)



PART NUMBER	L μ H @ 10 MHz	DCR Ω MAX	CURRENT RATING mA DC	TURNS	WIRE SIZE AWG
POWDERED IRON CORE					
C182SM3638G6	1.47	0.33	694	36	38
C182SM4840G6	2.00	0.65	494	48	40
C182SM6042G6	3.30	1.29	350	60	42
C182SM7844G6	6.00	2.85	236	78	44
C182SM11047G6	10.7	7.10	150	110	47

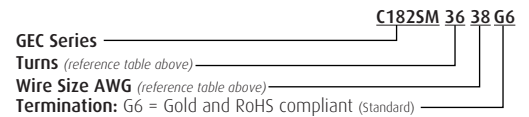
RECOMMENDED FOOT PRINT



NOTES

- **Operating Temperature Range:** -55°C to +125°C
- **Current Rating** is based on a 100°C temperature rise at an ambient temperature of 25°C
- **Wire Type:** Copper
- **Weight MAX:** 0.050 grams
- All non-tolerance and electrical data are reference only and based on nominal data
- Terminal is elongated to allow for soldering close to the tip of the coil
- Recommended that component is epoxied to substrate before reflow soldering
- Materials are fungus-inert to meet method 508 of MIL-STD-810H
* Meets a TML (Total Mass Loss) requirement of 1.0% maximum when tested in accordance with ASTM E595; this calculation does not include WVR (Water Vapor Recovered)
- Custom designs are available to meet your specific requirements; please contact factory

PART NUMBER DERIVATION



TAPE AND REEL SPECS

Pieces/reel maximum:	350
Pitch between parts:	12 mm
Tape width:	16 mm
Reel diameter:	7 in.