

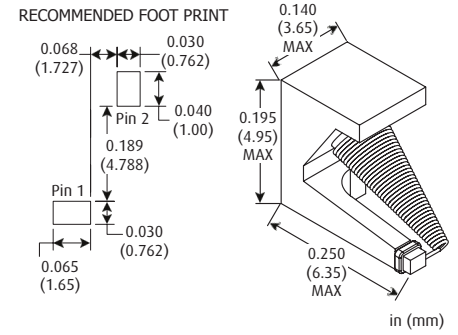
**C225SM SERIES**



Broadband Conical Surface Mount Inductor

Outgassing Tested per ASTM E595 (\*)

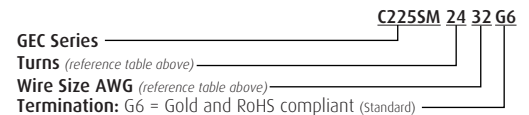
PART NUMBER	L $\mu$ H @ 10 MHz	DCR $\Omega$ NOM	CURRENT RATING mA DC	TURNS	WIRE SIZE AWG
<b>POWDERED IRON CORE</b>					
C225SM2432G6	0.45	0.07	1100	24	32
C225SM2935G6	0.60	0.16	733	29	35
C225SM3536G6	0.89	0.39	469	35	36
C225SM4338G6	1.30	0.47	428	43	38
C225SM5740G6	2.40	0.80	328	57	40
C225SM7042G6	3.60	1.50	239	70	43
C225SM8544G6	5.10	2.60	182	85	44
C225SM11047G6	8.00	6.40	116	110	47



**NOTES**

- **Operating Temperature Range:** -55°C to +125°C
- **Current Rating** is based on a 35°C temperature rise at an ambient temperature of 90°C
- **Wire Type:** Copper
- **Weight MAX:** 0.032 grams
- All non-tolerance and electrical data are reference only and based on nominal data
- Terminal is elongated to allow for soldering close to the tip of the coil
- Recommended that component is epoxied to substrate before reflow soldering
- Materials are fungus-inert to meet method 508 of MIL-STD-810H
- \* Meets a TML (Total Mass Loss) requirement of 1.0% maximum when tested in accordance with ASTM E595; this calculation does not include WVR (Water Vapor Recovered)
- Custom designs are available to meet your specific requirements; please contact factory

**PART NUMBER DERIVATION**



**TAPE AND REEL SPECS**

Pieces/reel maximum:	250
Pitch between parts:	12 mm
Tape width:	16 mm
Reel diameter:	13 in.