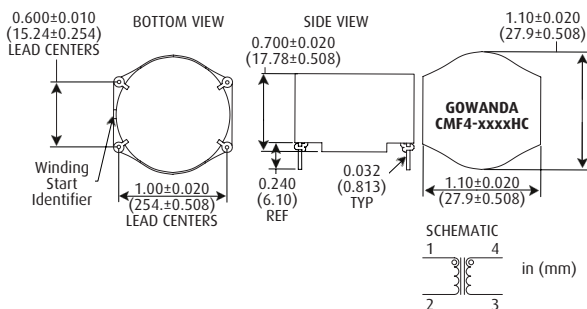


CMF4HC SERIES



Horizontal PC Mount Epoxy-Potted Common Mode Choke

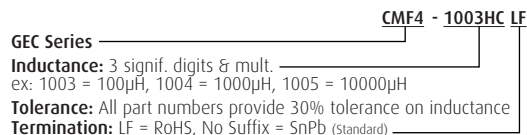


PART NUMBER	L μ H @ 10 kHz	DCR Ω MAX	CURRENT RATING A DC	LEAKAGE L μ H REF	INTERWINDING CAPACITANCE pF REF
CMF4-1003HC	100	0.004	12	1.7	8.8
CMF4-2503HC	250	0.006	10	3.5	12
CMF4-5003HC	500	0.008	8.6	5.5	15
CMF4-7503HC	750	0.013	6.7	7.6	22
CMF4-1004HC	1000	0.018	5.7	10	20
CMF4-1704HC	1700	0.060	3.1	20	18
CMF4-2504HC	2500	0.073	2.8	25	23
CM4-3304HC	3300	0.125	2.2	40	25
CMF4-5004HC	5000	0.150	2.0	49	30
CMF4-7504HC	7500	0.300	1.4	77	30
CMF4-1005HC	10000	0.390	1.2	91	32

NOTES

- **Operating Temperature Range:** -55°C to +125°C
- **Current Rating** is based on a 50°C temperature rise at an ambient temperature of 75°C
Note: Current is rated in both windings
- **DWV:** 1250 Vrms
- **Weight MAX:** 23.5 grams
- **Marking:** GOWANDA; Part Number (see diagram above)
- Excellent Electromagnetic Shielding
- Leakage inductance is tested in pins 1-2 with pins 3-4 shorted or at pins 3-4 with pins 1-2 shorted
- Inductance and DCR is for each side or single winding
- High temperature Diallyl Phthalate case with tinned copper terminals
- Custom designs are available to meet your specific requirements; please contact factory
- **Applications include:** Reduction of AC line interference produced by switching power supplies, the opposing magnetic fluxes in the core serve to cancel inphase noise signals appearing across the AC line. Also used for noise suppression of DC circuits for switching regulators.

PART NUMBER DERIVATION



PACKAGING SPECS

Bulk Only