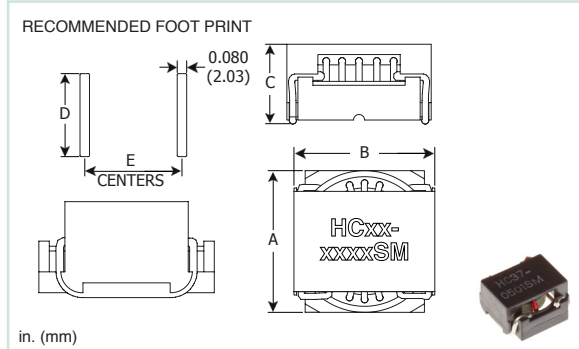


**HCSM**   
**HCSMLF\*** 

*Toroidal Inductor*



PART NUMBER	L $\mu$ H @ 1 kHz	SRF MHz MIN	DCR $\Omega$ MAX	CURRENT RATING A DC	L $\mu$ H w/ DC	@ I A DC
HC37-1251SM	1.25	260	0.0025	17.40	0.81	14.3
HC37-2101SM	2.10	160	0.0040	13.90	1.32	11.5
HC37-2801SM	2.80	110	0.0063	11.00	2.24	5.0
HC37-4201SM	4.20	100	0.0079	9.83	3.36	4.0
HC44-2801SM	2.80	110	0.0036	15.60	1.68	13.9
HC44-4201SM	4.20	85	0.0054	12.80	2.23	11.4
HC44-5701SM	5.70	65	0.0075	10.90	4.56	4.0
HC44-9001SM	9.00	55	0.0114	8.87	7.20	3.0
HC50-6501SM	6.50	55	0.0066	12.00	3.50	12.4
HC50-8401SM	8.40	45	0.0083	10.80	4.70	10.4
HC50-1252SM	12.5	35	0.0114	9.25	10.00	3.7
HC50-1702SM	17.0	29	0.0170	7.58	13.60	3.4
HC68-1052SM	10.5	30	0.0062	13.20	5.20	15.4
HC68-1762SM	17.6	24	0.0123	9.32	9.40	10.9
HC68-2202SM	22.0	21	0.0175	7.87	17.60	3.7
HC68-2902SM	29.0	16	0.0250	6.57	23.20	3.0

PART NUMBER	DIMENSIONS				
	A DIM MAX	B DIM MAX	C DIM MAX	D DIM NOM	E DIM NOM
HC37-1251SM	0.615 (15.62)	0.600 (15.62)	0.370 (9.40)	0.440 (11.18)	0.500 (12.70)
HC37-2101SM	0.615 (15.62)	0.600 (15.62)	0.370 (9.40)	0.440 (11.18)	0.500 (12.70)
HC37-2801SM	0.615 (15.62)	0.600 (15.62)	0.370 (9.40)	0.440 (11.18)	0.500 (12.70)
HC37-4201SM	0.615 (15.62)	0.600 (15.62)	0.370 (9.40)	0.440 (11.18)	0.500 (12.70)
HC44-2801SM	0.665 (16.89)	0.665 (16.89)	0.400 (10.16)	0.490 (12.45)	0.560 (14.22)
HC44-4201SM	0.665 (16.89)	0.665 (16.89)	0.400 (10.16)	0.490 (12.45)	0.560 (14.22)
HC44-5701SM	0.665 (16.89)	0.665 (16.89)	0.400 (10.16)	0.490 (12.45)	0.560 (14.22)
HC44-9001SM	0.665 (16.89)	0.665 (16.89)	0.400 (10.16)	0.490 (12.45)	0.560 (14.22)
HC50-6501SM	0.740 (18.80)	0.740 (18.80)	0.400 (10.16)	0.560 (14.22)	0.630 (16.00)
HC50-8401SM	0.740 (18.80)	0.740 (18.80)	0.400 (10.16)	0.560 (14.22)	0.630 (16.00)
HC50-1252SM	0.740 (18.80)	0.740 (18.80)	0.400 (10.16)	0.560 (14.22)	0.630 (16.00)
HC50-1702SM	0.740 (18.80)	0.740 (18.80)	0.400 (10.16)	0.560 (14.22)	0.630 (16.00)
HC68-1052SM	0.945 (24.0)	0.940 (23.88)	0.400 (10.16)	0.700 (17.78)	0.820 (20.83)
HC68-1762SM	0.945 (24.0)	0.940 (23.88)	0.400 (10.16)	0.700 (17.78)	0.820 (20.83)
HC68-2202SM	0.945 (24.0)	0.940 (23.88)	0.400 (10.16)	0.700 (17.78)	0.820 (20.83)
HC68-2902SM	0.945 (24.0)	0.940 (23.88)	0.400 (10.16)	0.700 (17.78)	0.820 (20.83)

**NOTES:**

- **Operating Temperature Range:** -30°C to +130°C
- **Current Rating** is based on a 55°C temperature rise at an ambient temperature of 25°C
- **Weight Max:**  
 HC37SM: 3.5 grams  
 HC44SM: 5.0 grams  
 HC50SM: 7.0 grams  
 HC68SM: 11.5 grams
- **Marking:** HC37-; XXX (Dash Number); SM  
 HC37-1521SM
- Excellent Electromagnetic Shielding
- When ordering, specify **termination:**  
 26HF1002HLF
- Tolerance:** All part numbers provide 20% tolerance on inductance  
*\*Optional tolerances are available; contact factory*
- Termination:** **LF** = RoHS compliant tin-silver copper over copper
- Custom designs are available to meet your specific requirements; please contact factory

TAPE AND REEL SPECS:	HC37	HC44	HC50	HC68
Pcs./Reel maximum:	250	200	200	150
Pitch between parts:	24 mm	24 mm	24 mm	32 mm
Tape width:	32 mm	32 mm	44 mm	44 mm
Reel diameter:	13 in.	13 in.	13 in.	13 in.