

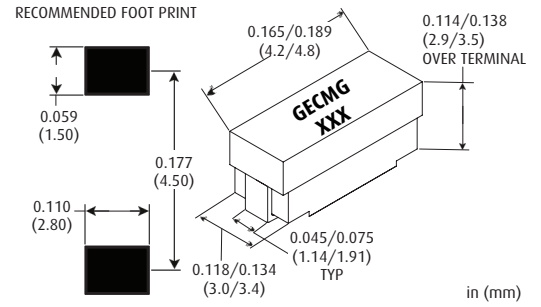
SMG1812 SERIES



Molded Non-Magnetic Surface Mount Inductor



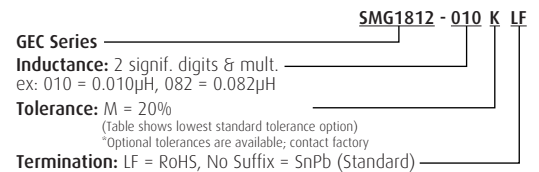
PART NUMBER	L μ H	Q MIN	TEST FREQ MHz	SRF MHz MIN	DCR Ω MAX	CURRENT RATING mA DC
NON-MAGNETIC COIL FORM						
SMG1812-010M	0.10	40	50	1000	0.10	1230
SMG1812-012M	0.12	40	50	1000	0.10	1230
SMG1812-015M	0.15	40	50	1000	0.10	1230
SMG1812-018M	0.18	40	50	1000	0.10	1230
SMG1812-022M	0.22	40	50	1000	0.10	1230
SMG1812-027M	0.27	40	50	1000	0.15	1000
SMG1812-033M	0.33	40	50	1000	0.15	1000
SMG1812-039M	0.39	35	50	1000	0.20	870
SMG1812-047M	0.47	35	50	1000	0.20	870
SMG1812-056M	0.56	35	50	850	0.25	770
SMG1812-068M	0.68	35	50	750	0.25	770
SMG1812-082M	0.82	35	50	750	0.25	700



NOTES

- **Operating Temperature Range:** -55°C to +125°C
- **Current Rating** is based on a 35°C temperature rise at an ambient temperature of 90°C
- **Relative Permeability:** ≤ 1.00003
- **Weight:** 0.15 grams
- **Marking:** GEC MG; XXX (dash number) (see diagram above)
- Medical Grade
- Used in imaging equipment where non-magnetic inductors are required
- Epoxy-encapsulated for environmental protection and superior strength to withstand all types of reflow soldering
- Custom designs are available to meet your specific requirements; please contact factory

PART NUMBER DERIVATION



TAPE AND REEL SPECS:

Pieces/reel maximum:	2200
Pitch between parts:	8 mm
Tape width:	12 mm
Reel diameter:	13 in.