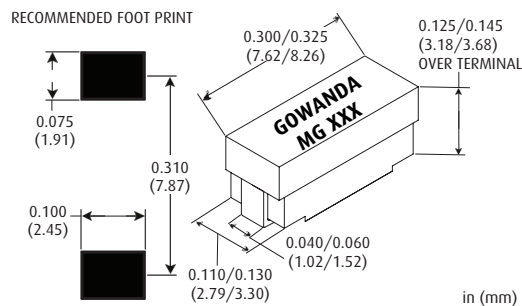


**SMG3013 SERIES**



Molded Non-Magnetic Surface Mount Inductor

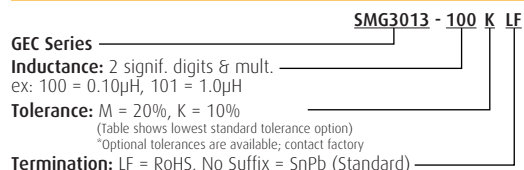


PART NUMBER	L μH	Q MIN	TEST FREQ MHz	SRF MHz MIN	DCR Ω MAX	CURRENT RATING mA DC
<b>NON-MAGNETIC COIL FORM</b>						
SMG3013-100K	0.10	40	25	680	0.080	1590
SMG3013-120K	0.12	40	25	640	0.090	1499
SMG3013-150K	0.15	38	25	600	0.100	1422
SMG3013-180K	0.18	35	25	550	0.120	1298
SMG3013-220K	0.22	33	25	510	0.140	1202
SMG3013-270K	0.27	33	25	430	0.160	1124
SMG3013-330K	0.33	30	25	410	0.220	959
SMG3013-390K	0.39	30	25	365	0.330	821
SMG3013-470K	0.47	30	25	330	0.350	760
SMG3013-560K	0.56	30	25	300	0.500	636
SMG3013-680K	0.68	28	25	275	0.600	580
SMG3013-820K	0.82	28	25	250	0.850	488
SMG3013-101K	1.00	25	25	230	1.0	450

**NOTES**

- **Operating Temperature Range:** -55°C to +125°C
- **Current Rating** is based on a 35°C temperature rise at an ambient temperature of 90°C
- **Relative Permeability:** ≤1.00003
- **Weight:** 0.20 grams
- **Marking:** GOWANDA; MG XXX (dash number) (see diagram above)
- Medical Grade
- Used in imaging equipment where non-magnetic inductors are required
- Epoxy-encapsulated for environmental protection and superior strength to withstand all types of reflow soldering
- Custom designs are available to meet your specific requirements; please contact factory

**PART NUMBER DERIVATION**



**TAPE AND REEL SPECS:**

Pieces/reel maximum:	2200
Pitch between parts:	8 mm
Tape width:	16 mm
Reel diameter:	13 in.