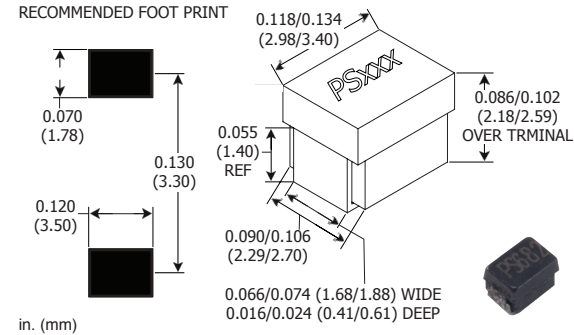


SMP1210S TRADITIONAL Pb
SMP1210SLF RoHS COMPLIANT

Wirewound, Shielded, Molded



PART NUMBER	L μ H @ 100 kHz	DCR Ω MAX	I SAT mA DC	CURRENT RATING mA DC
FERRITE CORE				
SMP1210S-101K	1.0	0.11	2060	1384
SMP1210S-121K	1.2	0.13	1860	1273
SMP1210S-151K	1.5	0.14	1690	1227
SMP1210S-181K	1.8	0.20	1550	1027
SMP1210S-221K	2.2	0.22	1430	979
SMP1210S-271K	2.7	0.24	1240	937
SMP1210S-331K	3.3	0.27	1160	884
SMP1210S-391K	3.9	0.30	1030	838
SMP1210S-471K	4.7	0.32	970	812
SMP1210S-561K	5.6	0.34	880	787
SMP1210S-681K	6.8	0.39	800	735
SMP1210S-821K	8.2	0.44	740	692
SMP1210S-102K	10	0.60	600	590
SMP1210S-122K	12	0.75	580	530
SMP1210S-152K	15	0.85	520	498
SMP1210S-182K	18	1.0	460	459
SMP1210S-222K	22	1.4	420	388
SMP1210S-272K	27	1.5	380	375
SMP1210S-332K	33	2.2	340	310
SMP1210S-392K	39	2.4	320	292
SMP1210S-472K	47	2.7	290	279
SMP1210S-562K	56	3.2	260	257
SMP1210S-682K	68	3.7	240	239
SMP1210S-822K	82	4.5	220	216
SMP1210S-103K	100	5.0	200	205

NOTES:

- **Operating Temperature Range:** -55°C to +125°C
 - **Current Rating** is based on a 40°C temperature rise at an ambient temperature of 85°C
 - **Weight Max:** 0.15 grams
 - **Marking:** GEC; PSXXX (dash number)
GEC
PS101
 - Coupling less than 4% with 1mm of spacing between components
 - Epoxy-encapsulated for environmental protection and superior strength to withstand all types of reflow soldering
 - Materials are fungal inert to meet Method 508 of MIL-STD-810H
 - When ordering, specify **tolerance & termination:**
SMP1210S-101KLF
- Tolerance:** M = 20%, K = 10%
(Table shows lowest standard tolerance option)
**Optional tolerances are available; contact factory*
- Termination:** LF = RoHS compliant tin-silver copper over copper
- Custom designs are available to meet your specific requirements; please contact factory

TAPE AND REEL SPECS:

Pcs./Reel maximum:	2000
Pitch between parts:	8 mm
Tape width:	8 mm
Reel diameter:	7 in.

SMP1210S 
SMP1210SLF 

Wirewound, Shielded, Molded

