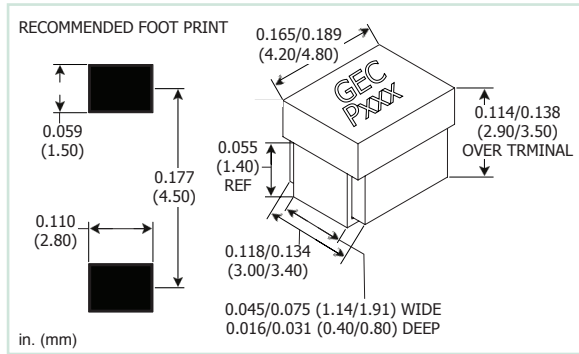


SMP1812 TRADITIONAL Pb
SMP1812LF* ROHS COMPLIANT

Molded Unshielded Inductor



PART NUMBER	L μ H @ 1 kHz	DCR Ω MAX	I SAT mA DC	CURRENT RATING mA DC
FERRITE CORE				
SMP1812-101K	1.0	0.080	2500	2018
SMP1812-121K	1.2	0.085	2200	1903
SMP1812-151K	1.5	0.087	2000	1619
SMP1812-181K	1.8	0.094	1830	1558
SMP1812-221K	2.2	0.130	1697	1325
SMP1812-271K	2.7	0.140	1513	1277
SMP1812-331K	3.3	0.170	1397	1158
SMP1812-391K	3.9	0.220	1250	1018
SMP1812-471K	4.7	0.240	1131	975
SMP1812-561K	5.6	0.340	1060	819
SMP1812-681K	6.8	0.370	990	785
SMP1812-821K	8.2	0.410	871	746
SMP1812-102K	10	0.460	772	704
SMP1812-122K	12	0.510	752	669
SMP1812-152K	15	0.720	693	563
SMP1812-182K	18	0.820	614	527
SMP1812-222K	22	1.11	515	453
SMP1812-272K	27	1.25	465	427
SMP1812-332K	33	1.35	425	411
SMP1812-392K	39	1.50	376	390
SMP1812-472K	47	1.65	366	372
SMP1812-562K	56	1.88	336	348
SMP1812-682K	68	2.95	297	288
SMP1812-822K	82	3.44	267	258
SMP1812-103K	100	4.00	238	239
SMP1812-123K	120	5.53	214	203
SMP1812-153K	150	6.00	191	195
SMP1812-183K	180	7.90	175	170
SMP1812-223K	220	8.80	158	161
SMP1812-273K	270	9.93	143	152
SMP1812-333K	330	14.80	129	124

NOTES:

- **Operating Temperature Range:** -55°C to +125°C
 - **Current Rating** is based on a 40°C temperature rise at an ambient temperature of 85°C
 - **Saturation Current** is the approximate value that will reduce the initial inductance by 5%
 - **Weight Max:** 0.15 grams
 - **Marking:** GEC; PXXX (dash number)
GEC
P101
 - Epoxy-encapsulated for environmental protection and superior strength to withstand all types of reflow soldering
 - Materials are fungal inert to meet Method 508 of MIL-STD-810H
 - When ordering, specify **tolerance & termination:**
SMP1812-101KLF
- Tolerance:** M = 20%, K = 10%
(Table shows lowest standard tolerance option)
**Optional tolerances are available; contact factory*
- Termination:** LF = RoHS compliant tin-silver copper over copper
- Custom designs are available to meet your specific requirements; please contact factory

TAPE AND REEL SPECS:

Pcs./Reel maximum:	2200
Pitch between parts:	8 mm
Tape width:	12 mm
Reel diameter:	13 in.