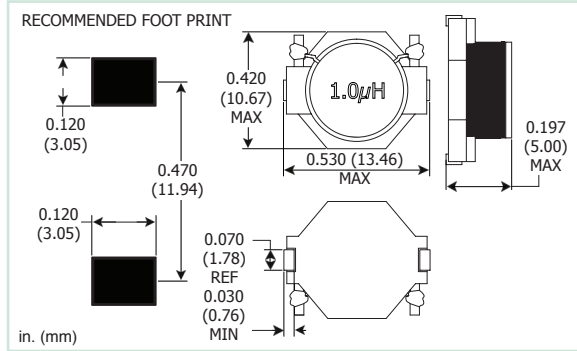


SMP3316LP 
SMP3316LPLF* 

Low Profile Unshielded Inductor



PART NUMBER	L μ H @ 100 kHz	DCR Ω MAX	I SAT A DC	CURRENT RATING mA DC	FERRITE CORE
					SMP3316LP-101M
SMP3316LP-151M	1.5	0.0080	10.4	8.3	
SMP3316LP-221M	2.2	0.0090	7.8	7.6	
SMP3316LP-331M	3.3	0.0128	7.0	6.5	
SMP3316LP-471M	4.7	0.0160	5.6	5.6	
SMP3316LP-681M	6.8	0.0202	5.0	5.0	
SMP3316LP-102M	10	0.0267	4.2	4.4	
SMP3316LP-152M	15	0.0410	3.4	3.5	
SMP3316LP-222M	22	0.0600	3.0	2.9	
SMP3316LP-332M	33	0.0917	2.4	2.3	
SMP3316LP-472M	47	0.1300	1.8	2.0	
SMP3316LP-682M	68	0.1780	1.6	1.7	
SMP3316LP-103M	100	0.2600	1.4	1.4	
SMP3316LP-153M	150	0.3800	1.0	1.2	
SMP3316LP-223M	220	0.5500	0.90	0.97	
SMP3316LP-333M	330	0.8700	0.70	0.77	
SMP3316LP-473M	470	1.23	0.64	0.65	
SMP3316LP-683M	680	1.71	0.50	0.55	
SMP3316LP-104M	1000	2.64	0.42	0.44	

NOTES:

- **Operating Temperature Range:** -55°C to +125°C
- **Current Rating** is based on a 40°C temperature rise at an ambient temperature of 85°C
- **Saturation Current** is the approximate value that will reduce the initial inductance by 10%
- **Weight Max:** 1.2 grams
- **Marking:** Inductance
1.0 μ H
- Molded Epoxy base for superior heat strength
- Can be used for all types of power applications including filters for DC/DC convertres and switching regulated power supplies
- When ordering, specify **tolerance & termination:**
SMP3316LP-101MLF
Tolerance: M = 20%
(Table shows lowest standard tolerance option)
**Optional tolerances are available; contact factory*
Termination: LF = RoHS compliant tin-silver copper over copper
- Custom designs are available to meet your specific requirements; please contact factory

TAPE AND REEL SPECS:

Pcs./Reel maximum:	700
Pitch between parts:	16 mm
Tape width:	24 mm
Reel diameter:	13 in.