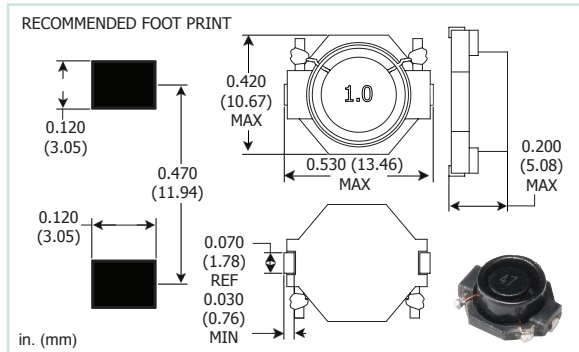


SMP3316S TRADITIONAL Pb
SMP3316SLF* ROHS COMPLIANT

Shielded Open Construction Inductor



PART NUMBER	L μH	DCR Ω MAX	I SAT A DC	CURRENT RATING A DC
FERRITE CORE				
SMP3316S-101M	1.0	0.021	15	5.0
SMP3316S-151M	1.5	0.022	11	4.5
SMP3316S-221M	2.2	0.032	10	3.8
SMP3316S-331M	3.3	0.039	8	3.3
SMP3316S-471M	4.7	0.054	6.8	2.7
SMP3316S-681M	6.8	0.075	5.5	2.2
SMP3316S-102M	10	0.101	4.6	2.0
SMP3316S-152M	15	0.150	3.8	1.5
SMP3316S-222M	22	0.207	3.1	1.3
SMP3316S-332M	33	0.334	2.5	1.1
SMP3316S-472M	47	0.472	2.1	0.80

NOTES:

- **Operating Temperature Range:**
-55°C to +125°C
- **Current Rating** is based on a 40°C temperature rise at an ambient temperature of 85°C
- **Saturation Current** is the approximate value that will reduce the initial inductance by 10%
- **Weight Max:** 0.90 grams
- **Marking:** Inductance
1.0
- Molded Epoxy base for superior heat strength
- Can be used for all types of power applications including filters for DC/DC convertres and switching regulated power supplies
- When ordering, specify **tolerance & termination:**
SMP3316S-101MLF
- **Tolerance:** M = 20%
(Table shows lowest standard tolerance option)
**Optional tolerances are available; contact factory*
- **Termination:** LF = RoHS compliant tin-silver copper over copper
- Custom designs are available to meet your specific requirements; please contact factory

TAPE AND REEL SPECS:

Pcs./Reel maximum:	700
Pitch between parts:	16 mm
Tape width:	24 mm
Reel diameter:	13 in.