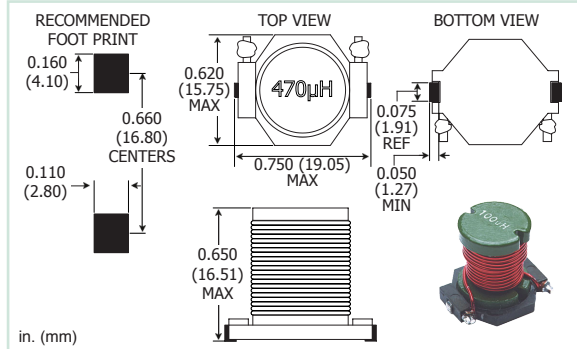


**SMP5057** TRADITIONAL Pb  
**SMP5057LF\*** ROHS COMPLIANT

Molded Unshielded Inductor



**NOTES:**

- **Operating Temperature Range:** -55°C to +125°C
- **Current Rating** is based on a 40°C temperature rise at an ambient temperature of 85°C
- **Saturation Current** is the approximate value that will reduce the initial inductance by 5%
- **Weight Max:** 8.60 grams
- **Marking:** Inductance µH  
470µH
- Molded Epoxy base for superior heat strength
- Can be used for all types of power applications including filters for DC/DC converters and switching regulated power supplies
- When ordering, specify **tolerance & termination:**  
SMP5057-391MLF  
**Tolerance:** M = 20%, K = 10%  
(Table shows lowest standard tolerance option)  
\*Optional tolerances are available; contact factory  
**Termination:** LF = RoHS compliant tin-silver copper over copper
- Custom designs are available to meet your specific requirements; please contact factory

**TAPE AND REEL SPECS:**

Pcs./Reel maximum:	100
Pitch between parts:	24 mm
Tape width:	32 mm
Reel diameter:	13 in.

PART NUMBER	L µH @ 1 kHz	DCR Ω MAX	I SAT A DC	CURRENT RATING A DC
<b>FERRITE CORE</b>				
SMP5057-391M	3.9	0.007	24	9.75
SMP5057-471M	4.7	0.008	22	9.11
SMP5057-561M	5.6	0.011	22	7.77
SMP5057-681M	6.8	0.011	20	7.60
SMP5057-821M	8.2	0.013	18	7.15
SMP5057-102K	10	0.016	17	6.44
SMP5057-122K	12	0.018	15	6.07
SMP5057-152K	15	0.020	14	5.76
SMP5057-182K	18	0.022	12	5.49
SMP5057-222K	22	0.024	11	5.26
SMP5057-272K	27	0.025	10	5.15
SMP5057-332K	33	0.028	9.0	4.87
SMP5057-392K	39	0.031	8.3	4.63
SMP5057-472K	47	0.034	7.4	4.45
SMP5057-562K	56	0.043	7.0	3.93
SMP5057-682K	68	0.059	6.4	3.36
SMP5057-822K	82	0.066	5.7	3.18
SMP5057-103K	100	0.084	5.0	2.82
SMP5057-123K	120	0.113	4.8	2.43
SMP5057-153K	150	0.129	4.4	2.27
SMP5057-183K	180	0.150	4.0	2.11
SMP5057-223K	220	0.162	3.6	2.03
SMP5057-273K	270	0.226	3.2	1.72
SMP5057-333K	330	0.257	2.9	1.61
SMP5057-393K	390	0.288	2.7	1.52
SMP5057-473K	470	0.393	2.5	1.30
SMP5057-563K	560	0.504	2.3	1.15
SMP5057-683K	680	0.570	2.0	1.08
SMP5057-823K	820	0.643	1.9	1.02
SMP5057-104K	1000	0.844	1.7	0.890
SMP5057-124K	1200	0.977	1.5	0.825
SMP5057-154K	1500	1.18	1.4	0.750
SMP5057-184K	1800	1.50	1.2	0.665
SMP5057-224K	2200	1.76	1.1	0.615
SMP5057-274K	2700	2.13	1.0	0.560
SMP5057-334K	3300	2.53	0.93	0.510
SMP5057-394K	3900	2.84	0.88	0.480
SMP5057-474K	4700	3.79	0.78	0.415
SMP5057-564K	5600	4.24	0.70	0.395
SMP5057-684K	6800	5.75	0.65	0.340
SMP5057-824K	8200	6.44	0.60	0.320
SMP5057-105K	10000	7.30	0.53	0.300
SMP5057-125K	12000	9.34	0.48	0.265
SMP5057-155K	15000	10.7	0.43	0.250
SMP5057-185K	18000	14.8	0.40	0.210
SMP5057-225K	22000	18.0	0.35	0.190
SMP5057-275K	27000	22.7	0.33	0.170
SMP5057-335K	33000	25.7	0.28	0.160
SMP5057-395K	39000	29.7	0.25	0.150
SMP5057-475K	47000	33.7	0.25	0.140
SMP5057-565K	56000	38.0	0.23	0.130
SMP5057-685K	68000	52.8	0.21	0.110
SMP5057-825K	82000	67.3	0.19	0.100
SMP5057-106K	100000	76.0	0.17	0.090