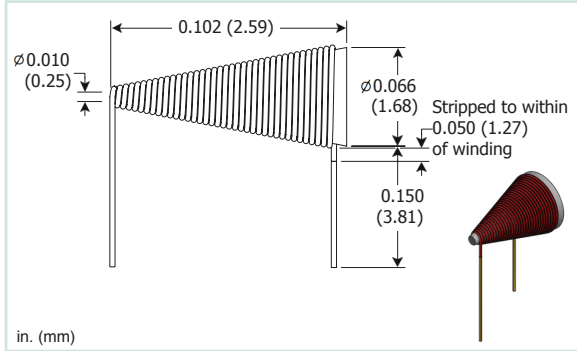


C102FL 

Broadband Conical Flying Lead Inductor

Outgassing Tested per ASTM E595 (*)



PART NUMBER	L μ H @ 10 MHz	DCR Ω NOM	CURRENT RATING mA DC	TURNS	WIRE SIZE AWG
POWDERED IRON CORE					
C102FL2238G6	0.47	0.19	815	22	38
C102FL2740G6	0.70	0.32	619	27	40
C102FL3442G6	1.1	0.64	438	34	42
C102FL4544G6	2.0	1.60	277	45	44
C102FL6047G6	3.8	3.70	182	60	47

NOTES:

- **Operating Temperature Range:** -55°C to +125°C
- **Current Rating** is based on a 100°C temperature rise at an ambient temperature of 25°C
- **Wire type:** Copper
- **Weight Max:** 0.007 grams
- All non-tolerance and electrical data are reference only and based on nominal data
- * Meets a TML (Total Mass Loss) requirement of 1.0% maximum when tested in accordance with ASTM E595; this calculation does not include WVR (Water Vapor Recovered)
- When ordering, specify **termination**:
C102FL2238G6
- Termination:** Gold and RoHS compliant
- Custom designs are available to meet your specific requirements; please contact factory

PACKAGING SPECS:

Bulk - in Jewel case