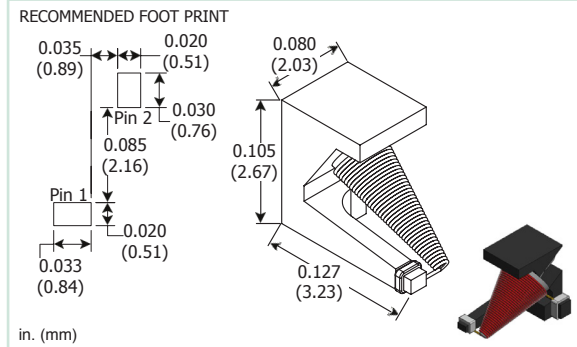


## C102SM

Broadband Conical Surface Mount Inductor

Outgassing Tested per ASTM E595 (\*)



PART NUMBER	L $\mu$ H @ 10 MHz	DCR $\Omega$ NOM	CURRENT RATING mA DC	TURNS	WIRE SIZE AWG
<b>POWDERED IRON CORE</b>					
C102SM2238G6	0.47	0.19	815	22	38
C102SM2740G6	0.70	0.32	619	27	40
C102SM3442G6	1.1	0.64	438	34	42
C102SM4544G6	2.0	1.60	277	45	44
C102SM6047G6	3.8	3.70	182	60	47

### NOTES:

- **Operating Temperature Range:**  
-55°C to +125°C
- **Current Rating** is based on a 100°C temperature rise at an ambient temperature of 25°C
- **Wire type:** Copper
- **Weight Max:** 0.010 grams
- All non-tolerance and electrical data are reference only and based on nominal data
- Terminal is elongated to allow for soldering close to the tip of the coil
- Recommended that component is epoxied to substrate before reflow soldering
- \* Meets a TML (Total Mass Loss) requirement of 1.0% maximum when tested in accordance with ASTM E595; this calculation does not include WVR (Water Vapor Recovered)
- When ordering, specify **termination:**  
C102SM2238G6
- **Termination:** Gold and RoHS compliant
- Custom designs are available to meet your specific requirements; please contact factory

### TAPE AND REEL SPECS:

Pcs./Reel maximum:	425
Pitch between parts:	12 mm
Tape width:	16 mm
Reel diameter:	7 in.