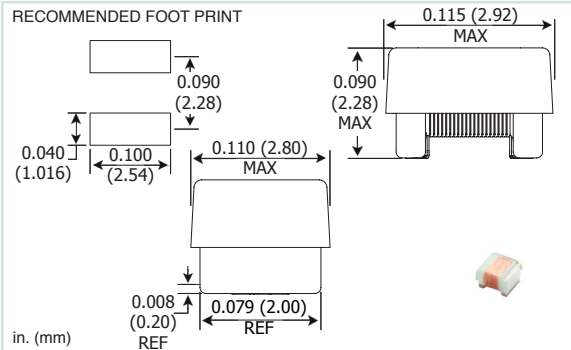


CC1008

Ceramic, Open Construction Chip Inductor

Outgassing Tested per ASTM E595 (*)



PART NUMBER	L nH	L TEST FREQ MHz	Q MIN	Q FREQ MHz	SRF MHz MIN	DCR Ω MAX	CURRENT RATING mA DC
CERAMIC CORE							
CC1008-010J	10	50	50	500	4100	0.08	1000
CC1008-012J	12	50	50	500	3300	0.09	1000
CC1008-015J	15	50	50	500	2500	0.10	1000
CC1008-018G	18	50	50	500	2500	0.11	1000
CC1008-022G	22	50	55	350	2400	0.12	1000
CC1008-027G	27	50	55	350	1600	0.13	1000
CC1008-033G	33	50	60	350	1600	0.14	1000
CC1008-039G	39	50	60	350	1300	0.15	1000
CC1008-047G	47	50	65	350	1500	0.16	1000
CC1008-056G	56	50	65	350	1300	0.18	1000
CC1008-068G	68	50	65	350	1300	0.20	1000
CC1008-082G	82	50	60	350	1000	0.22	1000
CC1008-100G	100	25	60	350	1000	0.56	655
CC1008-120G	120	25	60	350	950	0.63	617
CC1008-150G	150	25	45	100	850	0.70	585
CC1008-180G	180	25	45	100	750	0.77	560
CC1008-220G	220	25	45	100	700	0.84	535
CC1008-270G	270	25	45	100	600	0.91	515
CC1008-330G	330	25	45	100	570	1.05	475
CC1008-390G	390	25	45	100	500	1.12	460
CC1008-470G	470	25	45	100	450	1.19	450
CC1008-560G	560	25	45	100	415	1.33	425
CC1008-680G	680	25	45	100	375	1.47	405
CC1008-820G	820	25	45	100	350	1.61	385
CC1008-101G	1000	25	35	50	290	1.75	370
CC1008-121G	1200	7.9	35	50	250	2.00	345
CC1008-151G	1500	7.9	28	50	200	2.30	325
CC1008-181G	1800	7.9	28	50	160	2.60	305
CC1008-221G	2200	7.9	28	50	160	2.80	295
CC1008-271G	2700	7.9	22	25	90	3.80	250
CC1008-331G	3300	7.9	22	25	90	4.20	240
CC1008-391G	3900	7.9	20	25	90	4.40	235
CC1008-471G	4700	7.9	20	25	90	4.90	220

NOTES:

- **Operating Temperature Range:** -40°C to +125°C
- **Current Rating** is based on a 35°C temperature rise at an ambient temperature of 90°C
- **Weight Max:** 0.050 grams
- Suitable for Reflow soldering
- Flat Top Cover for Pick and Place
- Excellent for high frequency applications
- * Meets a TML (Total Mass Loss) requirement of 1.0% maximum when testing in accordance with ASTM E595; this calculation does not include WVR (Water Vapor Recovered)

- When ordering, specify **tolerance:**

CC1008-010J

Tolerance: M = 20%, K = 10%, J = 5%, G = 2%
(Table shows lowest standard tolerance option)
**Optional tolerances are available; contact factory*

Termination: Gold Plated Nickel

- Custom designs are available to meet your specific requirements; please contact factory

TAPE AND REEL SPECS:

Pcs./Reel maximum:	2000
Pitch between parts:	4 mm
Tape width:	8 mm
Reel diameter:	7 in.

CC1008 RoHS COMPLIANT

Ceramic, Open Construction Chip Inductor

Outgassing Tested per ASTM E595 (*)

