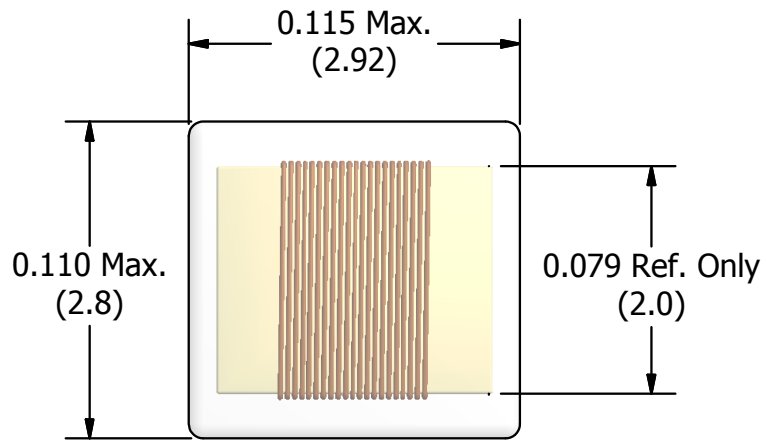
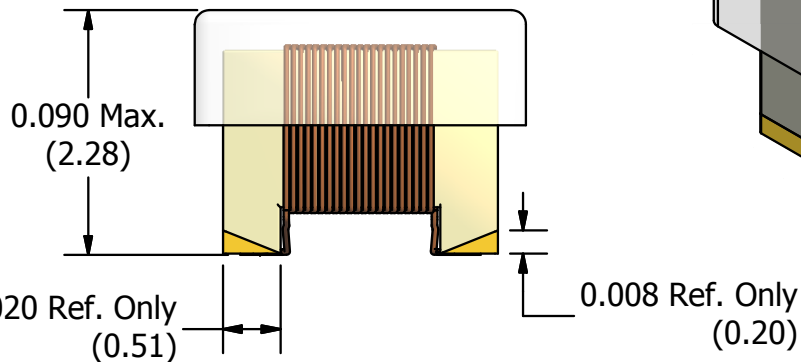
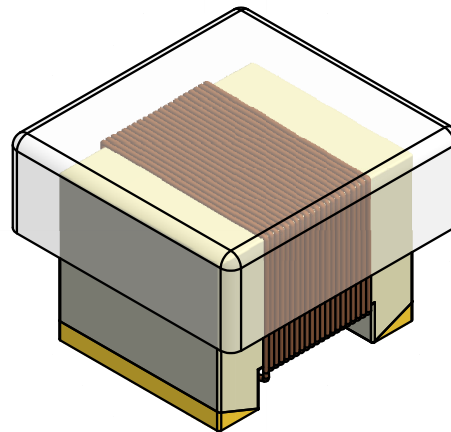
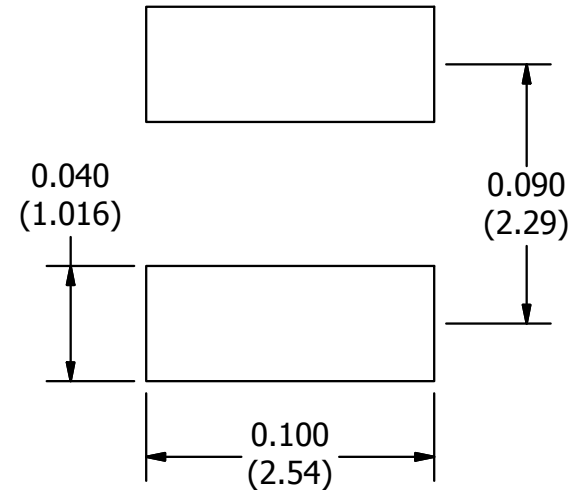


Proprietary



Recommended Foot Print



Notes:

- Ceramic core, termination are gold plated nickel

Tape and Reel Specs:

Pcs./Reel maximum: 2000
 Pitch between parts: 4mm
 Tape width: 8mm
 Reel diameter inches: 7

NEXT ASSEM.	USED ON	LTR	REVISION	BY	DATE
		A	Update to 3D model	KB	4/25/12
Part #:		CC1008 dimensional spec			
DRAWN BY	KB	Approved By	KB	ENG	QA
			KH		MFG

Unless otherwise specified dimensions are in inches.
 Tolerances on
 XX ± .010
 XXX ± .005
 XXXX ± .002
 Angles ±
 Fractions ±

This drawing or specification is the property of Gowanda Electronics. Copies shall not be reproduced or copied or used as the basis for the manufacture or sale of apparatus without permission.

Gowanda

ONE MAGNETICS PARKWAY
 P.O. BOX 111
 GOWANDA, NEW YORK 14070

Phone Number: (716) 532-2234
 Website: www.gowanda.com