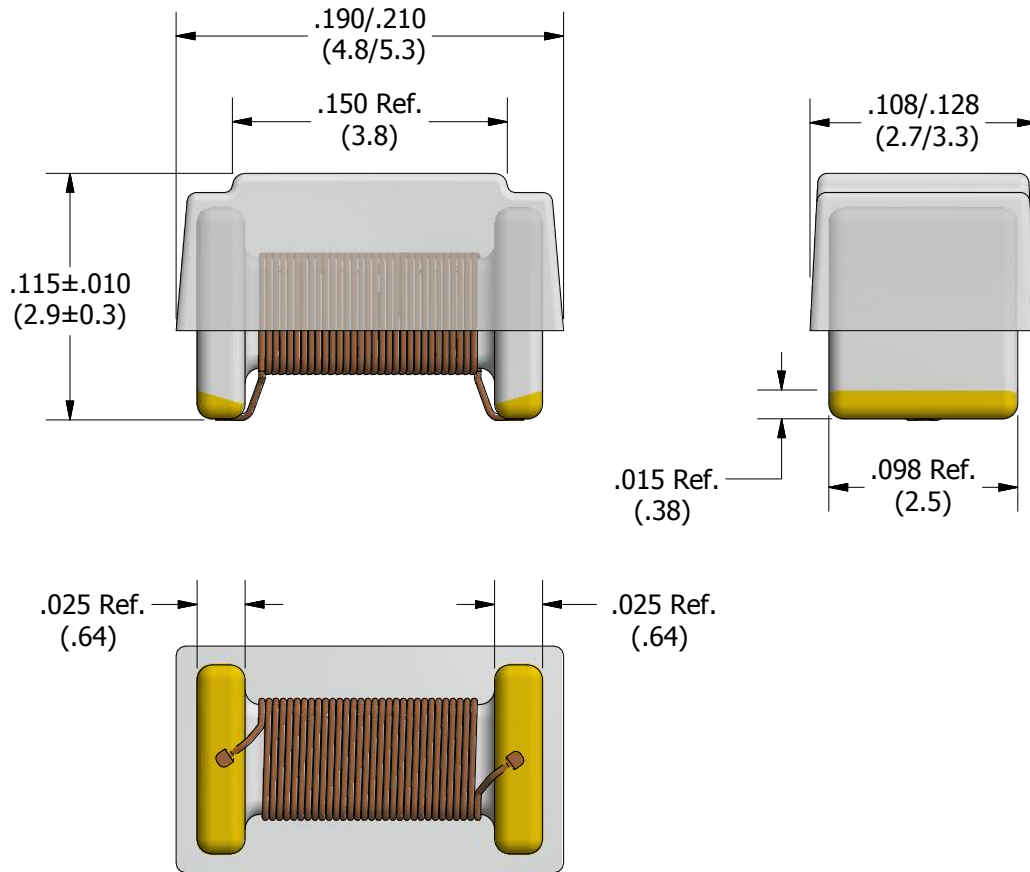
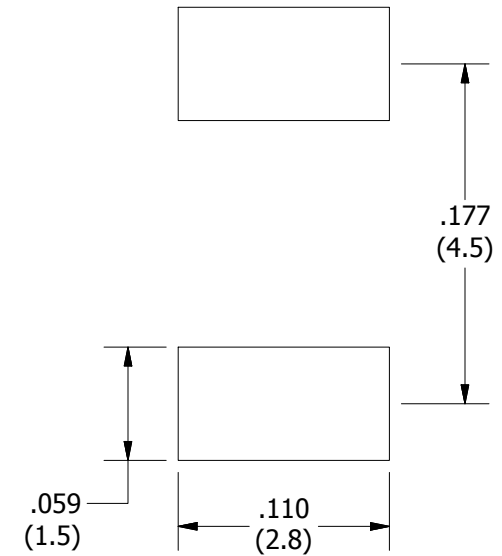


# Proprietary



## Recommended Footprint



### Notes:

- Ceramic core, terminations are gold plated nickel.

Tape and Reel Specs:

Pcs./Reel maximum: 500

Pitch between parts: 8mm

Tape width: 16mm

Reel diameter inches: 7

NEXT ASSEM.	USED ON	LTR	REVISION	BY	DATE	Unless otherwise specified dimensions are in inches. Tolerances on XX ± .010 XXX ± .005 XXXX ± .002 Angles ± Fractions ±	This drawing or specification is the property of Gowanda Electronics. Copies shall not be reproduced or copied or used as the basis for the manufacture or sale of apparatus without permission.
		-	Issue	CH	04/30/18		
Part #:		CC4H1812					
DRAWN BY	CH	Approved By	MM <sup>ENG</sup>	KH <sup>QA</sup>	MFG		
	04/30/18						



ONE MAGNETICS PARKWAY  
P.O. BOX 111  
GOWANDA, NEW YORK 14070  
Phone Number: (716) 532-2234  
Website: www.gowanda.com  
Cage Code: 24226