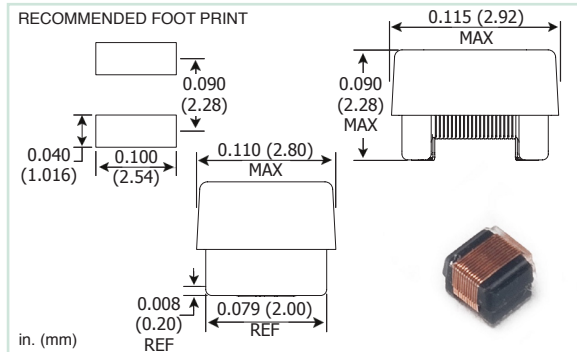


CF1008

Ferrite Open Construction Chip Inductor



PART NUMBER	L nH	L TEST FREQ MHz	Q MIN	Q FREQ MHz	SRF MHz MIN	DCR Ω MAX	CURRENT RATING mA DC
FERRITE CORE							
CF1008-082J	0.082	25	60	100	1000	0.15	1086
CF1008-100J	0.100	25	60	100	1000	0.15	1086
CF1008-120J	0.120	25	60	100	900	0.15	1086
CF1008-150J	0.150	25	60	100	850	0.16	1051
CF1008-160J	0.160	25	60	100	750	0.18	991
CF1008-180J	0.180	25	60	100	600	0.18	991
CF1008-220J	0.220	25	60	100	650	0.18	991
CF1008-240J	0.240	25	60	100	600	0.24	859
CF1008-270J	0.270	25	60	100	550	0.24	859
CF1008-330J	0.330	25	60	100	525	0.26	825
CF1008-390J	0.390	25	60	100	500	0.30	768
CF1008-470J	0.470	25	60	100	475	0.35	711
CF1008-560J	0.560	25	50	100	380	0.35	711
CF1008-620J	0.620	25	50	100	375	0.36	701
CF1008-680J	0.680	25	50	100	370	0.38	682
CF1008-750J	0.750	25	50	100	330	0.40	665
CF1008-820J	0.820	25	50	100	315	0.50	595
CF1008-910J	0.910	25	40	100	300	0.52	583
CF1008-101J	1.0	25	40	50	270	0.70	503
CF1008-121J	1.2	7.9	35	50	210	0.68	510
CF1008-151J	1.5	7.9	35	50	190	0.80	470
CF1008-181J	1.8	7.9	30	50	170	0.98	425
CF1008-221J	2.2	7.9	30	50	150	1.10	401
CF1008-271J	2.7	7.9	35	50	135	1.28	372
CF1008-331J	3.3	7.9	25	50	120	1.46	348
CF1008-391J	3.9	7.9	25	7.9	105	1.80	313
CF1008-471J	4.7	7.9	25	7.9	90	2.70	256
CF1008-561J	5.6	7.9	25	7.9	80	3.50	225
CF1008-681J	6.8	7.9	22	7.9	70	3.10	239
CF1008-821J	8.2	7.9	22	7.9	65	3.20	235
CF1008-102J	10	7.9	22	7.9	60	3.60	222
CF1008-122J	12	2.5	13	2.5	12	5.20	184
CF1008-152J	15	2.5	13	2.5	9.8	7.40	155
CF1008-182J	18	2.5	13	2.5	8.5	7.90	150
CF1008-222J	22	2.5	13	2.5	7.2	8.60	143
CF1008-272J	27	2.5	13	2.5	6.5	9.70	135
CF1008-332J	33	2.5	13	2.5	6.5	11	127
CF1008-392J	39	2.5	13	2.5	6.5	15	109
CF1008-472J	47	2.5	13	2.5	5.8	20	94
CF1008-562J	56	2.5	13	2.5	5.2	22	90
CF1008-682J	68	2.5	13	2.5	4.5	23	88
CF1008-822J	82	2.5	13	2.5	4.5	26	82
CF1008-103J	100	2.5	13	2.5	3.3	28	79

NOTES:

- **Operating Temperature Range:** -40°C to +125°C
- **Current Rating** is based on a 35°C temperature rise at an ambient temperature of 90°C
- **Weight Max:** 0.050 grams
- Suitable for Reflow soldering
- Flat top cover for pick and place
- Excellent for high frequency applications
- When ordering, specify **tolerance:**

CF1008-082J

Tolerance: M = 20%, K = 10%, J = 5%
(Table shows lowest standard tolerance option)
 *Optional tolerances are available; contact factory

Termination: Gold over Nickel

- Custom designs are available to meet your specific requirements; please contact factory

TAPE AND REEL SPECS:

Pcs./Reel maximum:	2000
Pitch between parts:	4 mm
Tape width:	8 mm
Reel diameter:	7 in.