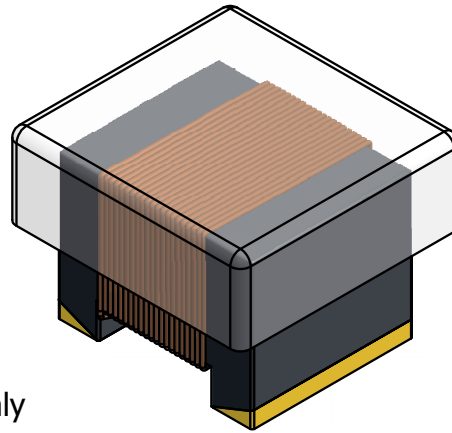
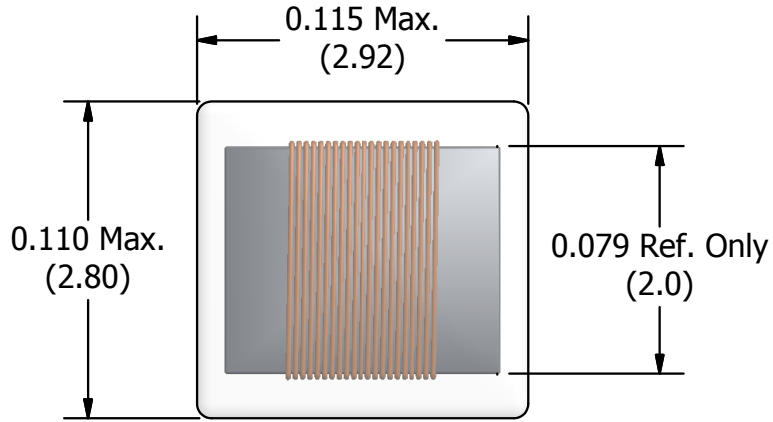
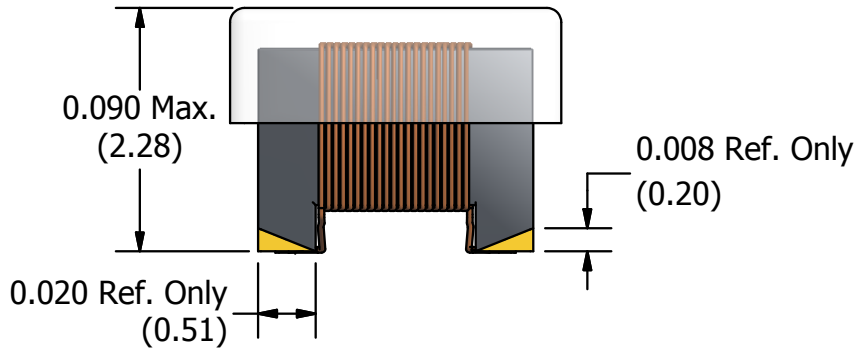
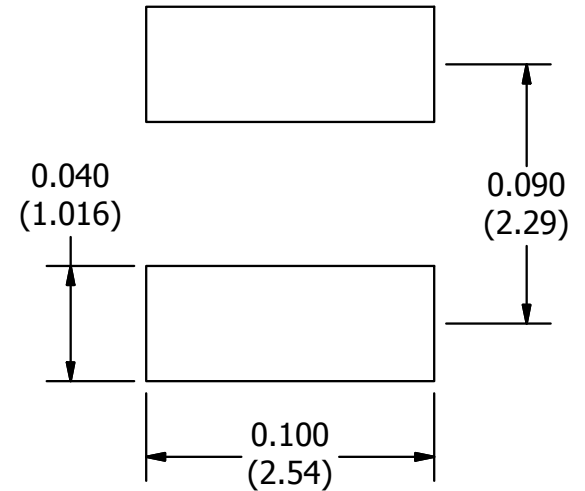


# Proprietary



## Recommended Foot Print



### Notes:

- Ferrite core, termination are gold plated nickel

### Tape and Reel Specs:

Pcs./Reel maximum: 2000  
 Pitch between parts: 4mm  
 Tape width: 8mm  
 Reel diameter inches: 7

|             |         |                         |                    |     |         |  |  |
|-------------|---------|-------------------------|--------------------|-----|---------|--|--|
| NEXT ASSEM. | USED ON | LTR                     | REVISION           | BY  | DATE    | Unless otherwise specified dimensions are in inches. Tolerances on | This drawing or specification is the property of Gowanda Electronics. Copies shall not be reproduced or copied or used as the basis for the manufacture or sale of apparatus without permission. |
|             |         | A                       | Update to 3D model | KB  | 4/25/12 |  |  |
| Part #:     |         | CF1008 dimensional spec |                    |     |         | XX ± .010  | ONE MAGNETICS PARKWAY<br>P.O. BOX 111<br>GOWANDA, NEW YORK 14070   |
| DRAWN BY    | KB      | Approved By             | KB                 | ENG | KH      | QA   |  |
|             |         |                         |                    |     |         | MFG  |  |
|             |         |                         |                    |     |         | XXX ± .005   | Phone Number: (716) 532-2234<br>Website: www.gowanda.com   |
|             |         |                         |                    |     |         | XXXX ± .002  |  |
|             |         |                         |                    |     |         | Angles ±   |  |
|             |         |                         |                    |     |         | Fractions ±  |  |

