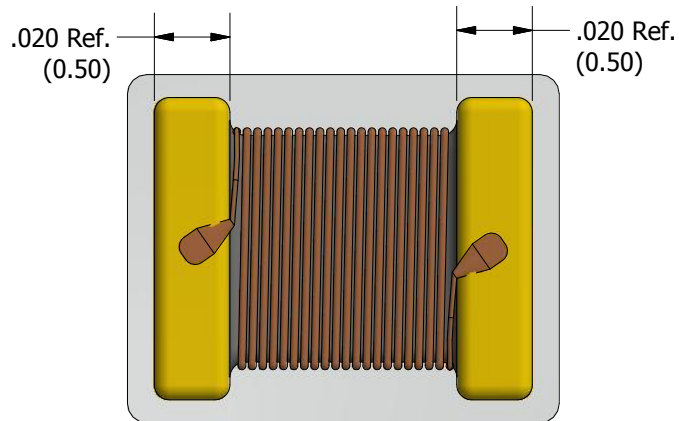
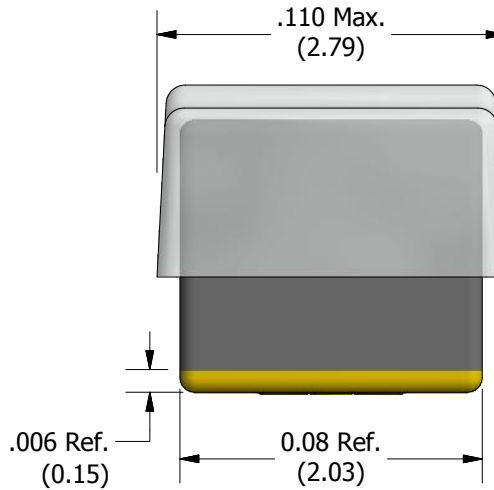
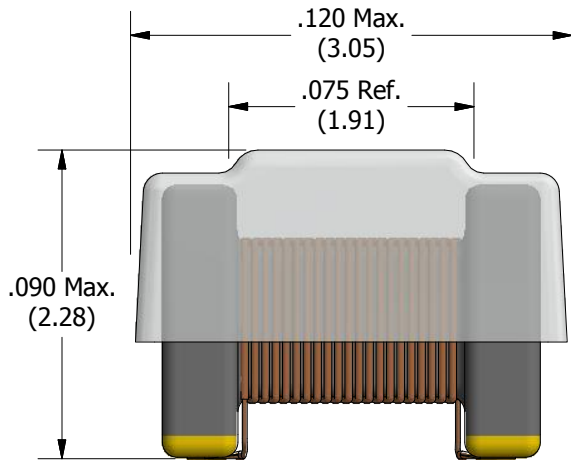
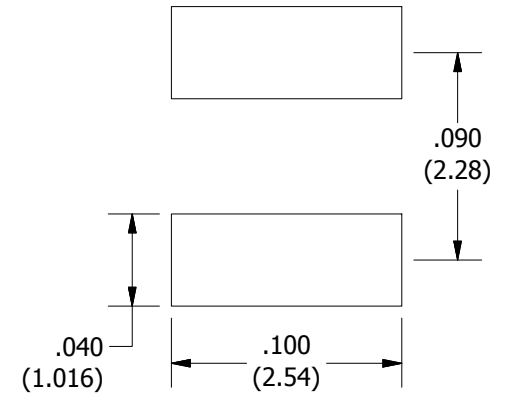


Proprietary



Recommended Footprint



Notes:
- Ferrite Core, terminations are gold plated nickel.

Tape and Reel Specs:
Pcs./Reel maximum: 2000
Pitch between parts: 4mm
Tape width: 8mm
Reel diameter inches: 7

NEXT ASSEM.	USED ON	LTR	REVISION	BY	DATE
		-	Issue	CH	04/30/18
Part #:		CF4H1008			
DRAWN BY	CH	Approved By	MM ^{ENG}	KH ^{QA}	MFG
	04/30/18				

Unless otherwise specified dimensions are in inches.
Tolerances on
XX ± .010
XXX ± .005
XXXX ± .002
Angles ±
Fractions ±

This drawing or specification is the property of Gowanda Electronics. Copies shall not be reproduced or copied or used as the basis for the manufacture or sale of apparatus without permission.

Gowanda

ONE MAGNETICS PARKWAY
P.O. BOX 111
GOWANDA, NEW YORK 14070

Phone Number: (716) 532-2234
Website: www.gowanda.com
Cage Code: 24226