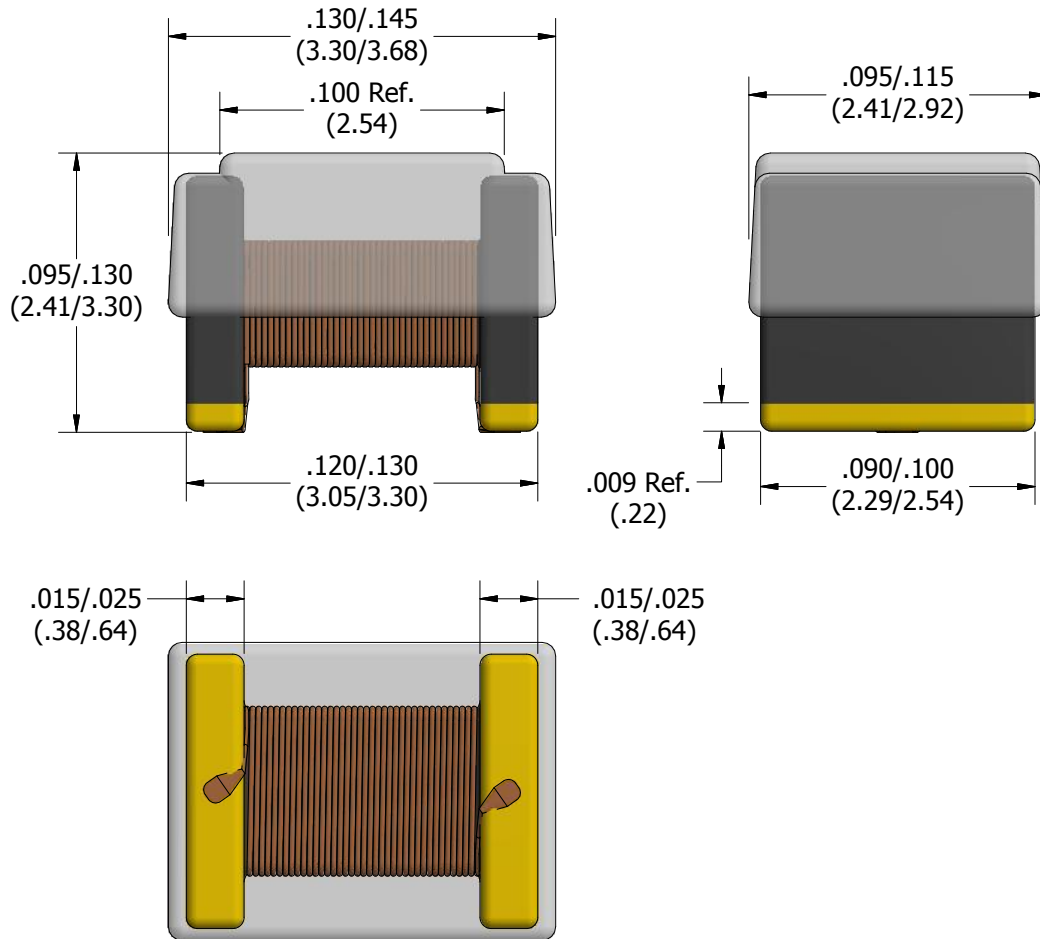
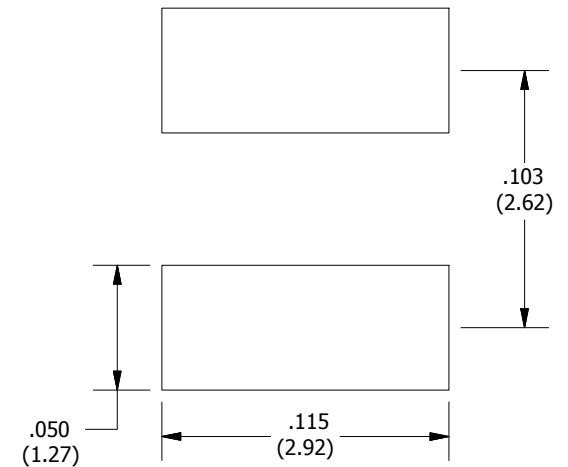


Proprietary



Recommended Footprint



Notes:

- Ferrite Core, terminations are gold plated nickel.

Tape and Reel Specs:

Pcs./Reel maximum: 1500

Pitch between parts: 4mm

Tape width: 8mm

Reel diameter inches: 7

NEXT ASSEM.	USED ON	LTR	REVISION	BY	DATE	Unless otherwise specified dimensions are in inches. Tolerances on XX ± .010 XXX ± .005 XXXX ± .002 Angles ± Fractions ±	This drawing or specification is the property of Gowanda Electronics. Copies shall not be reproduced or copied or used as the basis for the manufacture or sale of apparatus without permission.
		-	Issue	CH	04/30/18		
Part #:		CF4H1210					
DRAWN BY	CH	Approved By	MM	ENG	KH	QA	MFG
	04/30/18						



ONE MAGNETICS PARKWAY
P.O. BOX 111
GOWANDA, NEW YORK 14070

Phone Number: (716) 532-2234
Website: www.gowanda.com
Cage Code: 24226