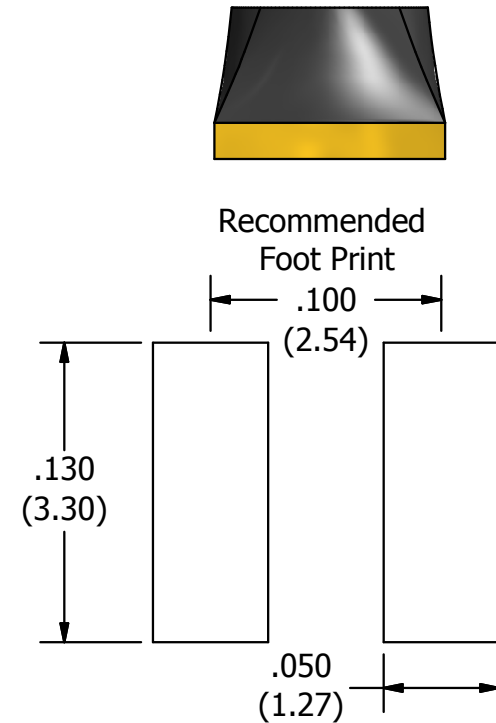
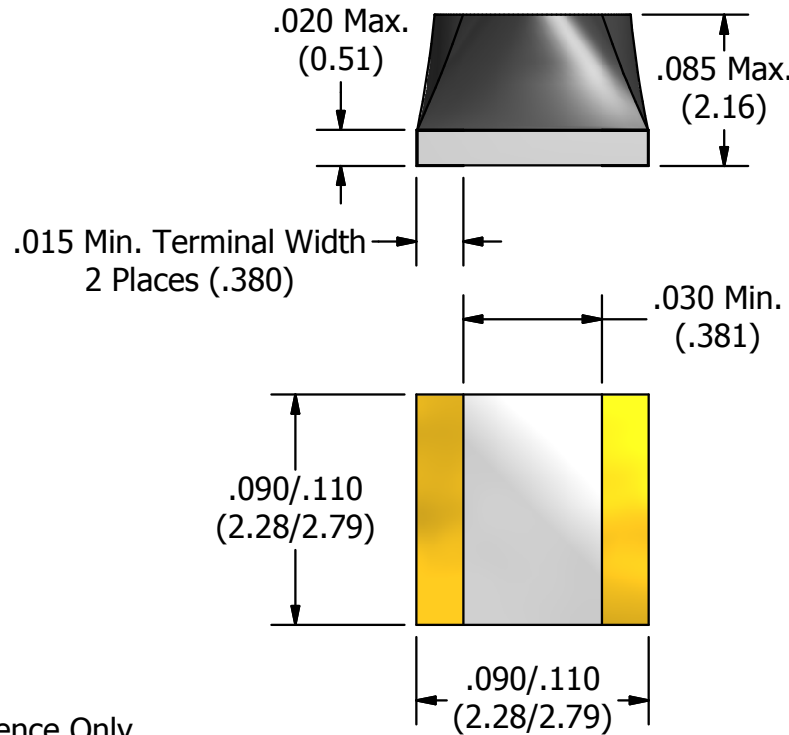
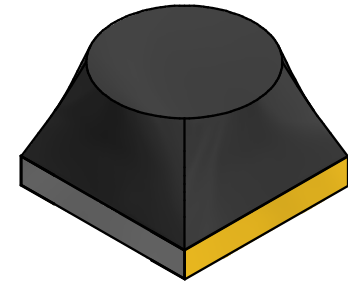
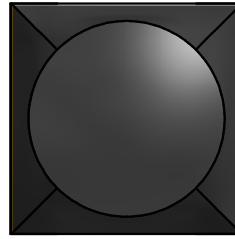


Proprietary



Tape and Reel Specs:
Pcs./Reel maximum: 2000
Pitch between parts: 4 mm
Tape width: 12 mm
Reel diameter inches: 7

Notes:
Marking: None on Part

Metric Dimensions are Reference Only

NEXT ASSEM.	USED ON	LTR	REVISION	BY	DATE
		B	Clarify Dimensions	JE	3/17/14
Part #:		MLRF1010-Dimensional Specification			
DRAWN BY	KB	Approved By	KB	ENG	QA
					MFG

Unless otherwise specified dimensions are in inches. Tolerances on (mn)

XX ±
XXX ±
XXXX ±
Angles ±
Fractions ±

This drawing or specification is the property of Gowanda Electronics. Copies shall not be reproduced or copied or used as the basis for the manufacture or sale of apparatus without permission.

Gowanda

ONE MAGNETICS PARKWAY
P.O. BOX 111
GOWANDA, NEW YORK 14070

Phone Number: (716) 532-2234
Website: www.gowanda.com