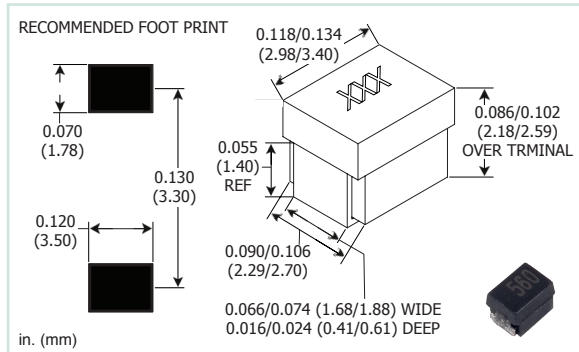


**SML32S** TRADITIONAL Pb  
**SML32SLF** RoHS COMPLIANT

Molded Shielded Inductor



PART NUMBER	L $\mu$ H	L TEST FREQ MHz	SRF MIN MHz	DCR $\Omega$ MAX	CURRENT RATING mA DC
<b>POWDERED IRON CORE</b>					
SML32S-100K	0.10	25	375	0.15	1175
SML32S-120K	0.12	25	350	0.17	1104
SML32S-150K	0.15	25	330	0.20	1017
SML32S-180K	0.18	25	310	0.22	971
SML32S-220K	0.22	25	300	0.25	910
SML32S-270K	0.27	25	290	0.30	860
SML32S-330K	0.33	25	255	0.35	831
SML32S-390K	0.39	25	230	0.40	720
SML32S-470K	0.47	25	220	0.45	679
SML32S-560K	0.56	25	200	0.50	644
SML32S-680K	0.68	25	180	0.55	614
SML32S-820K	0.82	25	170	0.60	588
<b>FERRITE CORE</b>					
SML32S-101K	1.0	7.9	140	0.40	679
SML32S-121K	1.2	7.9	120	0.49	650
SML32S-151K	1.5	7.9	110	0.57	603
SML32S-171K	1.7	7.9	95	0.65	650
SML32S-181K	1.8	7.9	95	0.65	564
SML32S-221K	2.2	7.9	80	0.73	533
SML32S-271K	2.7	7.9	70	0.75	526
SML32S-331K	3.3	7.9	45	0.80	509
SML32S-391K	3.9	7.9	42	0.83	500
SML32S-471K	4.7	7.9	40	1.0	455
SML32S-561K	5.6	7.9	38	1.3	399
SML32S-681K	6.8	7.9	35	1.5	372
SML32S-821K	8.2	7.9	32	1.7	349
SML32S-102K	10	2.5	28	1.9	330
SML32S-122K	12	2.5	25	2.1	314
SML32S-152K	15	2.5	23	2.5	288
SML32S-182K	18	2.5	21	2.8	272
SML32S-222K	22	2.5	19	3.0	262
SML32S-272K	27	2.5	16	4.0	228
SML32S-332K	33	2.5	14	4.5	215
SML32S-392K	39	2.5	12	5.0	204
SML32S-472K	47	2.5	10	5.5	194
SML32S-562K	56	2.5	8	6.3	181
SML32S-682K	68	2.5	8	7.0	172
SML32S-822K	82	2.5	8	8.5	156
SML32S-103K	100	2.5	8	10.0	144
SML32S-123K	120	0.79	5	11.0	137
SML32S-153K	150	0.79	4	12.0	131
SML32S-183K	180	0.79	4	13.0	126
SML32S-223K	220	0.79	4	15.0	118
SML32S-273K	270	0.79	3.4	18.0	107
SML32S-333K	330	0.79	3.2	20.0	102
SML32S-393K	390	0.79	2.7	23.0	95
SML32S-473K	470	0.79	2.1	25.0	91

**NOTES:**

- **Operating Temperature Range:** -55°C to +125°C
- **Current Rating** is based on a 35°C temperature rise at an ambient temperature of 90°C
- **Weight Max:** 0.05 grams
- **Marking:** XXX (dash number) 010
- Epoxy-encapsulated for environmental protection and superior strength to withstand all types of reflow soldering
- When ordering, specify **tolerance & termination:**  
SML32S-100KLF  
**Tolerance:** M = 20%, K = 10%, J = 5%, G = 2%  
(Table shows lowest standard tolerance option)  
*\*Optional tolerances are available; contact factory*  
**Termination:** LF = RoHS compliant, No Suffix = SnPb
- Custom designs are available to meet your specific requirements; please contact factory

**TAPE AND REEL SPECS:**

Pcs./Reel maximum:	2000
Pitch between parts:	8 mm
Tape width:	8 mm
Reel diameter:	7 in.

**SML32S** TRADITIONAL Pb  
**SML32SLF** ROHS COMPLIANT

Molded Shielded Inductor

