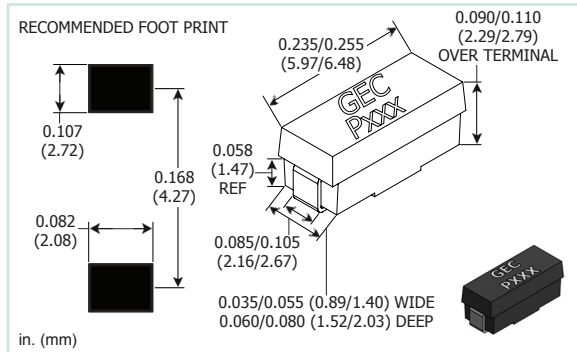


SMP2512 TRADITIONAL Pb
SMP2512LF ROHS COMPLIANT

Molded Unshielded Inductor



PART NUMBER	L μH	TEST FREQ MHz	DCR Ω MAX	I SAT mA DC	CURRENT RATING mA DC
FERRITE CORE					
SMP2512-101J	1.0	7.9	0.15	1230	1640
SMP2512-121J	1.2	7.9	0.21	1040	1390
SMP2512-151J	1.5	7.9	0.27	920	1220
SMP2512-181J	1.8	7.9	0.29	890	1180
SMP2512-221J	2.2	7.9	0.40	750	1000
SMP2512-271J	2.7	7.9	0.54	649	865
SMP2512-331J	3.3	7.9	0.75	551	734
SMP2512-391J	3.9	7.9	0.82	527	702
SMP2512-471J	4.7	7.9	1.0	477	636
SMP2512-561J	5.6	7.9	1.1	455	606
SMP2512-681J	6.8	7.9	1.2	435	580
SMP2512-821J	8.2	7.9	1.3	418	557
SMP2512-102J	10	7.9	1.5	389	519
SMP2512-122J	12	2.5	1.6	377	503
SMP2512-152J	15	2.5	1.8	355	474
SMP2512-182J	18	2.5	2.6	296	394
SMP2512-222J	22	2.5	3.5	255	340
SMP2512-272J	27	2.5	3.7	248	330
SMP2512-332J	33	2.5	3.8	245	326
SMP2512-392J	39	2.5	3.9	242	322
SMP2512-472J	47	2.5	4.2	233	310
SMP2512-562J	56	2.5	4.6	222	296
SMP2512-682J	68	2.5	5.1	211	281
SMP2512-822J	82	2.5	5.6	209	278
SMP2512-103J	100	2.5	6.0	195	260

NOTES:

- **Operating Temperature Range:**
-55°C to +125°C
- **Current Rating** is based on a 65°C maximum temperature rise at an ambient temperature of 60°C
- **Saturation Current** is the approximate value that will reduce the initial inductance by 10%
- **Weight Max:** 0.115 grams
- **Marking:** GEC; PXXX (dash number)
GEC
P101
- Epoxy-encapsulated for environmental protection and superior strength to withstand all types of reflow soldering
- Materials are fungus-inert to meet Method 508 of MIL-STD-810H
- When ordering, specify **tolerance & termination:**
SMP2512-101JLF
- Tolerance:** M = 20%, K = 10%, J = 5%
(Table shows lowest standard tolerance option)
**Optional tolerances are available; contact factory*
- Termination:** LF = RoHS compliant tin-silver copper over copper
- Custom designs are available to meet your specific requirements; please contact factory

TAPE AND REEL SPECS:

Pcs./Reel maximum:	500
Pitch between parts:	8 mm
Tape width:	16 mm
Reel diameter:	7 in.