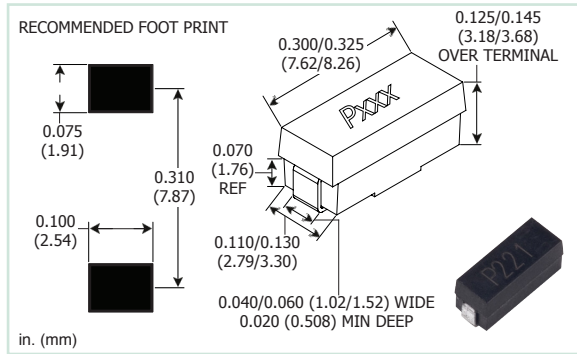


SMP3013 TRADITIONAL Pb
SMP3013LF* ROHS COMPLIANT

Molded Unshielded Inductor



PART NUMBER	L μ H @ 1 kHz	DCR Ω MAX	I SAT mA DC	CURRENT RATING A DC
FERRITE CORE				
SMP3013-101K	1.0	0.030	4.6	2.78
SMP3013-121K	1.2	0.046	4.2	2.24
SMP3013-151K	1.5	0.056	3.6	2.03
SMP3013-181K	1.8	0.061	3.4	1.95
SMP3013-221K	2.2	0.083	3.0	1.69
SMP3013-271K	2.7	0.096	2.6	1.55
SMP3013-331K	3.3	0.109	2.4	1.46
SMP3013-391K	3.9	0.120	2.2	1.39
SMP3013-471K	4.7	0.131	2.0	1.33
SMP3013-561K	5.6	0.194	1.8	1.10
SMP3013-681K	6.8	0.198	1.6	1.08
SMP3013-821K	8.2	0.221	1.5	1.02
SMP3013-102K	10	0.258	1.4	0.946
SMP3013-122K	12	0.278	1.2	0.912
SMP3013-152K	15	0.340	1.1	0.824
SMP3013-182K	18	0.346	1.0	0.817
SMP3013-222K	22	0.480	0.980	0.694
SMP3013-272K	27	0.535	0.860	0.657
SMP3013-332K	33	0.715	0.780	0.568
SMP3013-392K	39	0.970	0.680	0.488
SMP3013-472K	47	1.06	0.660	0.467
SMP3013-562K	56	1.18	0.580	0.442
SMP3013-682K	68	1.57	0.520	0.384
SMP3013-822K	82	1.76	0.470	0.362
SMP3013-103K	100	1.92	0.450	0.347
SMP3013-123K	120	2.16	0.400	0.327
SMP3013-153K	150	3.12	0.360	0.272
SMP3013-183K	180	3.38	0.330	0.261
SMP3013-223K	220	4.66	0.290	0.223
SMP3013-273K	270	6.36	0.270	0.191
SMP3013-333K	330	7.20	0.235	0.179
SMP3013-393K	390	7.92	0.210	0.171
SMP3013-473K	470	8.90	0.200	0.161
SMP3013-563K	560	12.1	0.185	0.138
SMP3013-683K	680	13.7	0.170	0.130
SMP3013-823K	820	18.2	0.150	0.113
SMP3013-104K	1000	20.9	0.130	0.105

NOTES:

- **Operating Temperature Range:** -55°C to +125°C
- **Current Rating** is based on a 40°C maximum temperature rise at an ambient temperature of 85°C
- **Saturation Current** is the approximate value that will reduce the initial inductance by 5%
- **Weight Max:** 0.25 grams
- **Marking:** PXXX (dash #)
PXXX
- When ordering, specify **tolerance & termination:**
SMP3013-101KLF
Tolerance: M = 20%, K = 10%
(Table shows lowest standard tolerance option)
*Optional tolerances are available; contact factory
Termination: LF = RoHS compliant tin-silver copper over copper
- Custom designs are available to meet your specific requirements; please contact factory

TAPE AND REEL SPECS:

Pcs./Reel maximum:	2200
Pitch between parts:	8 mm
Tape width:	16 mm
Reel diameter:	13 in.